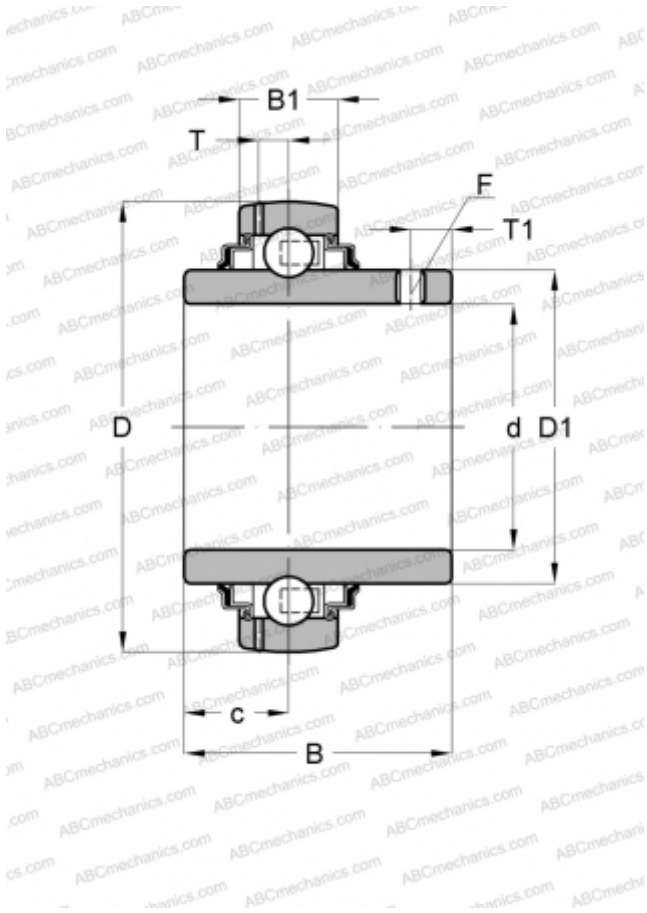


## UC307 FYH

Insert bearings

TYPE: Ball bearings, Radial insert bearings, Grub screw to inner ring, Spherical outer ring, Seals on both side, R seal, relubrication



### Technical specification

#### DIMENSIONS, MM

d	35,000
D	80,000
D1	50,500
B	48,000
B1	25,000
c	19,000
T	7,400
T1	8,000

#### MANUFACTURER

[FYH](#)

#### INTERCHANGE

ABC	<a href="#">UC 307</a>
ASAHI	<a href="#">UC 307</a>
SNR	<a href="#">UC307G2</a>
SLB	<a href="#">UC 307</a>
NTN	<a href="#">UC 307 D1</a>