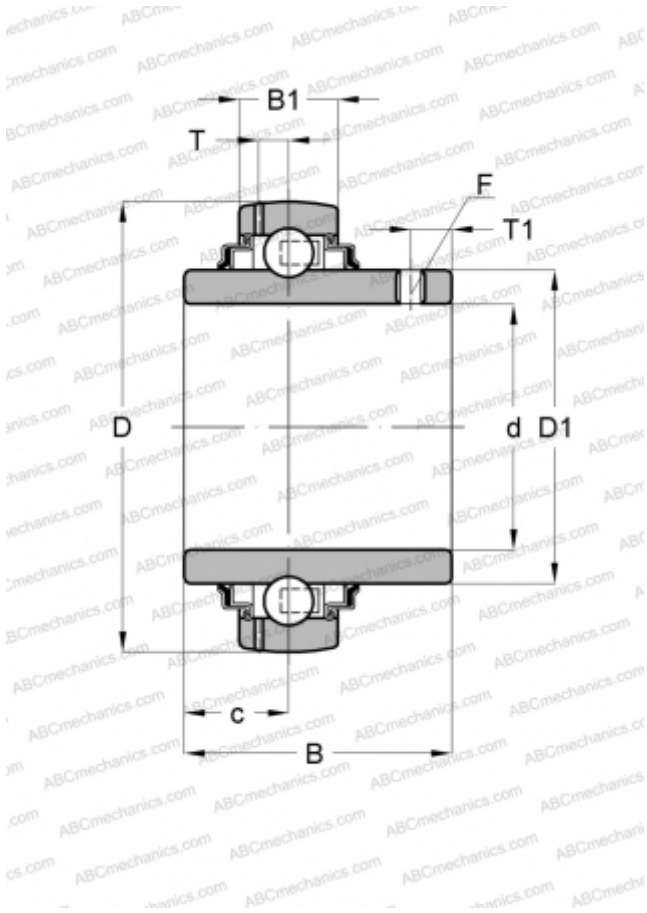


## UC 212 FYH

Insert bearings

TYPE: Ball bearings, Radial insert bearings, Grub screw to inner ring, Spherical outer ring, Seals on both side, R seal, relubrication



### Technical specification

#### DIMENSIONS, MM

d	60,000
D	110,000
D1	77,000
B	65,100
B1	26,000
c	25,400
T	7,700
T1	10,000

#### MANUFACTURER

[FYH](#)

#### INTERCHANGE

ABC	<a href="#">UC 212</a>
INA	<a href="#">GYE60-KRR-B</a>
SKF	<a href="#">YAR 212-2F</a>
ASAHI	<a href="#">UC 212</a>
FKL	<a href="#">LE 212 2F</a>
SNR	<a href="#">UC212G2</a>
SLB	<a href="#">UC 212</a>
NTN	<a href="#">UC 212 D1</a>