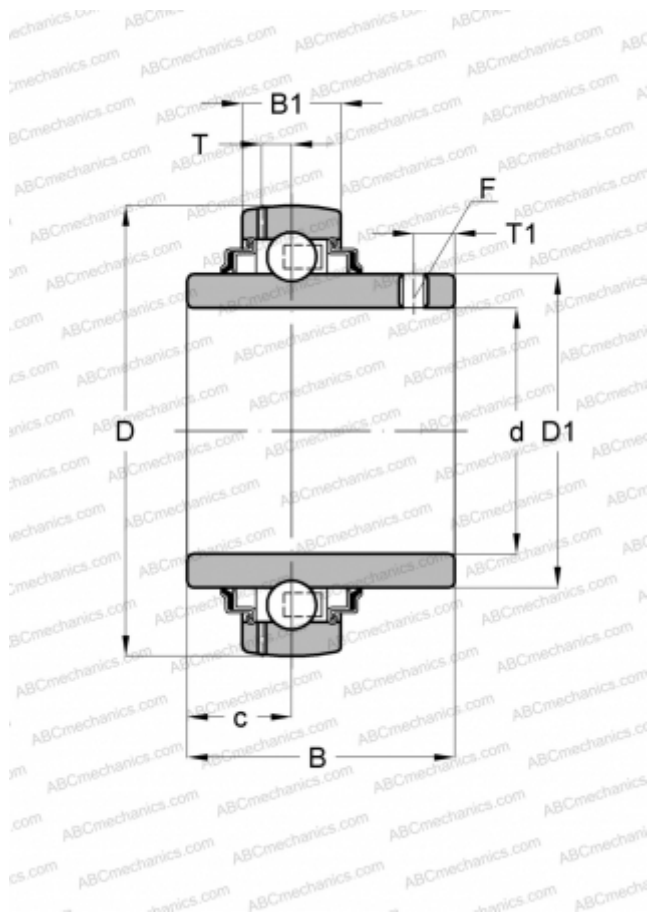


## UC 213 FYH

Insert bearings

TYPE: Ball bearings, Radial insert bearings, Grub screw to inner ring, Spherical outer ring, Seals on both side, R seal, relubrication



### Technical specification

#### DIMENSIONS, MM

|    |         |
|----|---------|
| d  | 65,000  |
| D  | 120,000 |
| D1 | 82,100  |
| B  | 65,100  |
| B1 | 27,000  |
| c  | 25,400  |
| T  | 8,300   |
| T1 | 10,000  |

#### MANUFACTURER

[FYH](#)

#### INTERCHANGE

|       |                            |
|-------|----------------------------|
| ABC   | <a href="#">UC 213</a>     |
| SKF   | <a href="#">YAR 213-2F</a> |
| ASAHI | <a href="#">UC 213</a>     |
| FAG   | <a href="#">56213</a>      |
| FKL   | <a href="#">LE 213 2F</a>  |
| SNR   | <a href="#">UC213G2</a>    |
| SLB   | <a href="#">UC 213</a>     |
| NTN   | <a href="#">UC 213 D1</a>  |