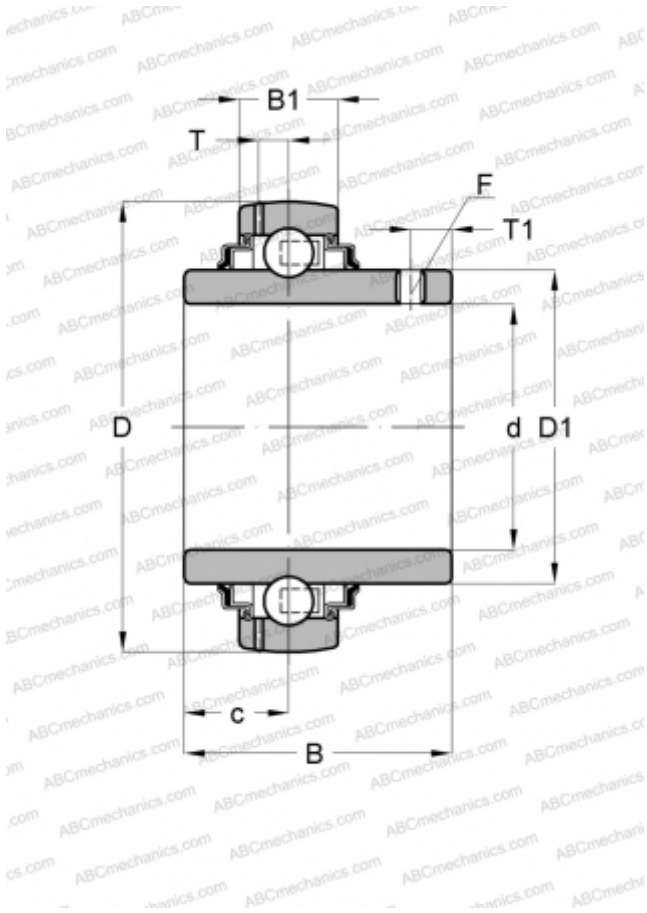


UC 314 D1 NTN

Insert bearings

TYPE: Ball bearings, Radial insert bearings, Grub screw to inner ring, Spherical outer ring, Seals on both side, R seal, relubrication



Technical specification

DIMENSIONS, MM

d	70,000
D	150,000
D1	95,200
B	78,000
B1	40,000
c	33,000
T	13,000
T1	12,000

MANUFACTURER

[NTN](#)

INTERCHANGE

ABC	UC 314
ASAHI	UC 314
SLB	UC 314
FYH	UC314