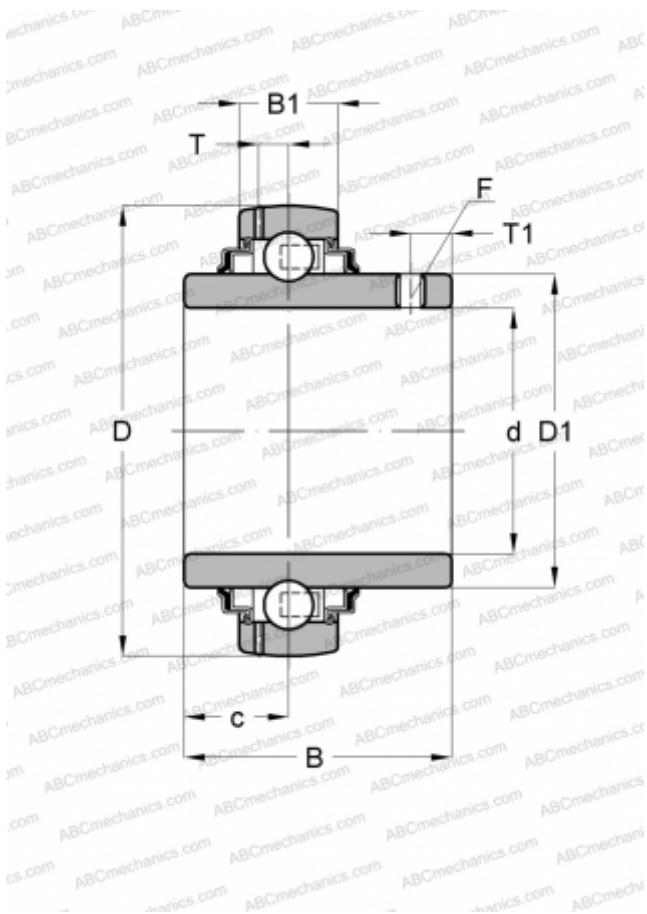


UC 215 FYH

Insert bearings

TYPE: Ball bearings, Radial insert bearings, Grub screw to inner ring, Spherical outer ring, Seals on both side, R seal, relubrication



Technical specification

DIMENSIONS, MM

d	75,000
D	130,000
D1	91,500
B	77,800
B1	30,000
c	33,000
T	9,200
T1	14,000

MANUFACTURER

[FYH](#)

INTERCHANGE

ABC	UC 215
INA	GYE75-KRR-B
SKF	YAR 215-2F
ASAHI	UC 215
FAG	56215
FKL	LE 215 2F
SNR	UC215G2
SLB	UC 215
NTN	UC 215 D1