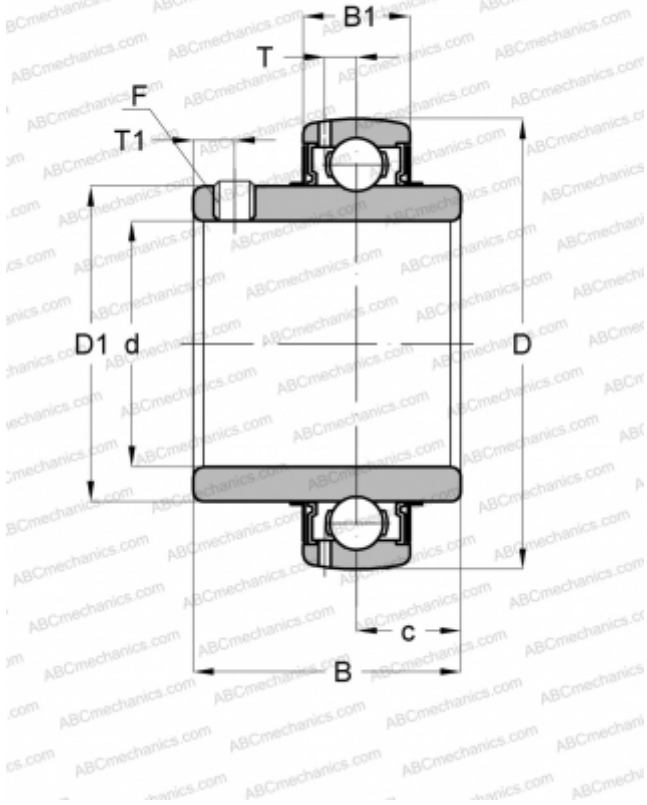


## UC201-8 SLB

Insert bearings

TYPE: Ball bearings, Radial insert bearings, Grub screw to inner ring, Spherical outer ring, Seals on both side, R seal, relubrication, inch size



### Technical specification

#### DIMENSIONS, MM

d	12,700
D	47,000
D1	29,007
B	30,988
B1	16,993
c	12,700
T	4,496
T1	4,496
F	1/4-28

#### MANUFACTURER

[SLB](#)

#### INTERCHANGE

ABC	<a href="#">UC 201-8</a>
ASAHI	<a href="#">UC 201-8</a>
SNR	<a href="#">UC201-08G2</a>
FYH	<a href="#">UC 201-8</a>
NTN	<a href="#">UC 201-008 D1</a>