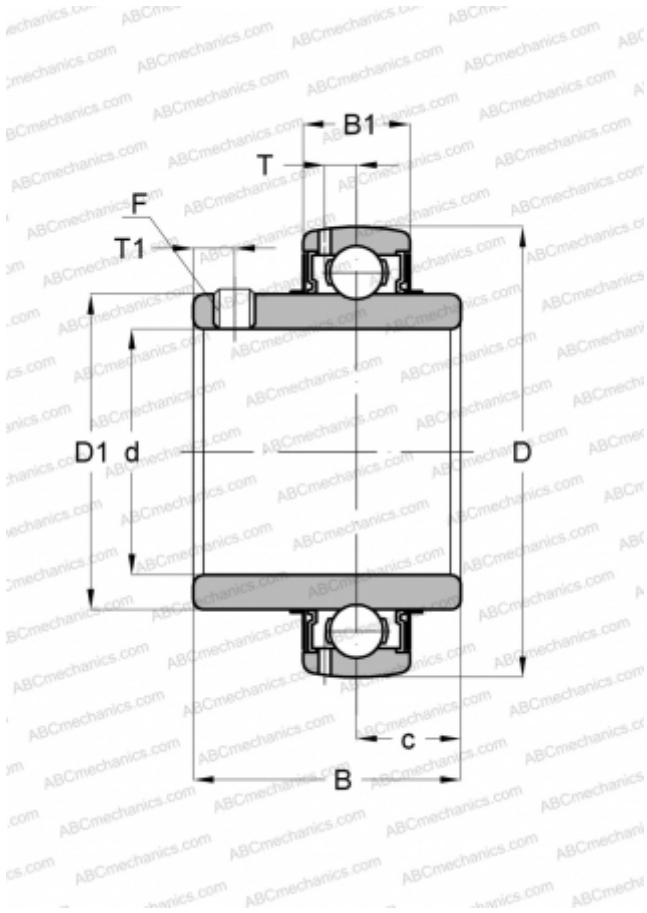


UC 201-8 FYH

Insert bearings

TYPE: Ball bearings, Radial insert bearings, Grub screw to inner ring, Spherical outer ring, Seals on both side, R seal, relubrication, inch size



Technical specification

DIMENSIONS, MM

d	12,700
D	47,000
D1	29,007
B	30,988
B1	16,993
c	12,700
T	4,496
T1	4,496
F	1/4-28

MANUFACTURER

[FYH](#)

INTERCHANGE

ABC	UC 201-8
ASAHI	UC 201-8
SNR	UC201-08G2
SLB	UC201-8
NTN	UC 201-008 D1