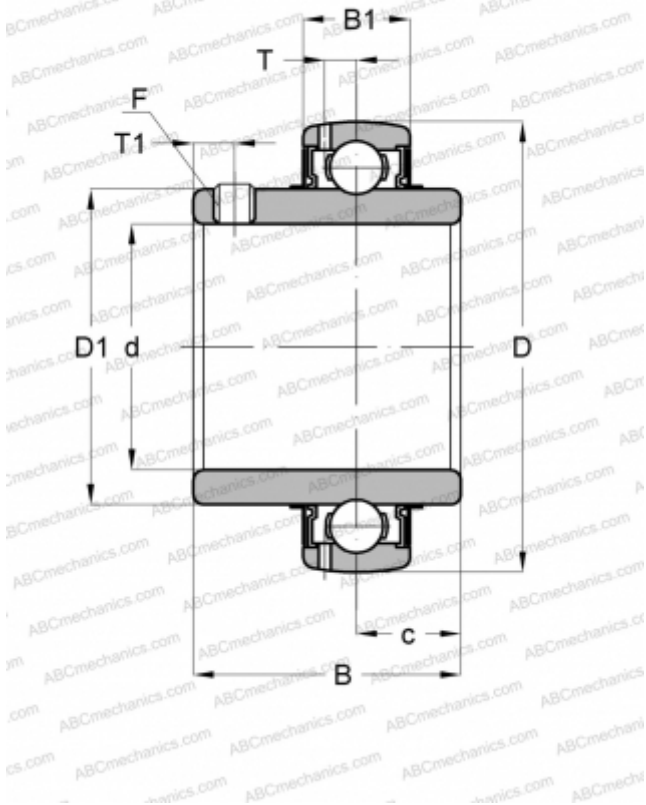


UC 205-15 FYH

Insert bearings

TYPE: Ball bearings, Radial insert bearings, Grub screw to inner ring, Spherical outer ring, Seals on both side, R seal, relubrication, inch size



Technical specification

DIMENSIONS, MM

d	23,812
D	51,999
D1	34,011
B	34,087
B1	16,993
c	14,300
T	4,496
T1	5,004
F	1/4-28

MANUFACTURER

[FYH](#)

INTERCHANGE

ABC	UC 205-15
ASAHI	UC 205-15
SKF	YAR 205-015-2F
SNR	UC205-15G2
SLB	UC 205-15
NTN	UC 205-015 D1