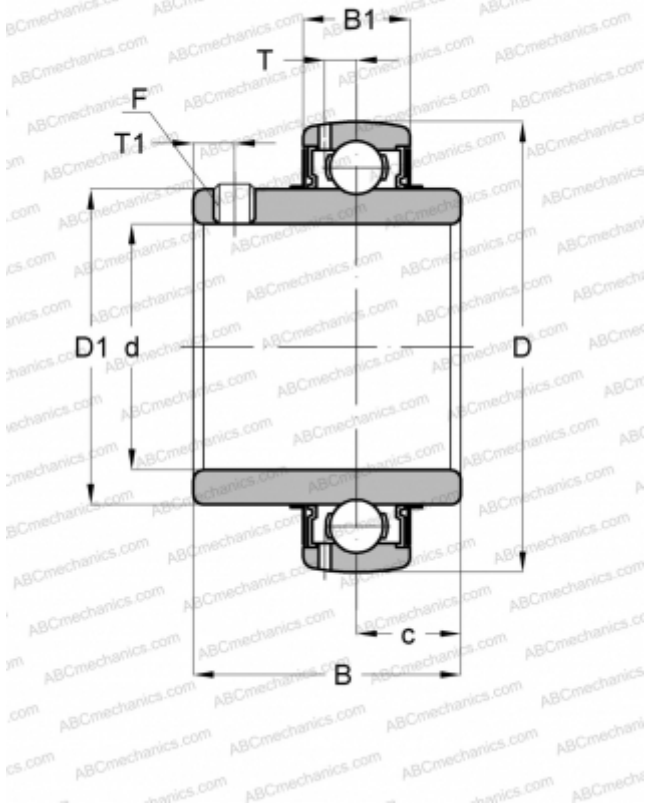


UC 205-015 D1 NTN

Insert bearings

TYPE: Ball bearings, Radial insert bearings, Grub screw to inner ring, Spherical outer ring, Seals on both side, R seal, relubrication, inch size



Technical specification

DIMENSIONS, MM

| | |
|----|--------|
| d | 23,812 |
| D | 51,999 |
| D1 | 34,011 |
| B | 34,087 |
| B1 | 16,993 |
| c | 14,300 |
| T | 4,496 |
| T1 | 5,004 |
| F | 1/4-28 |

MANUFACTURER

[NTN](#)

INTERCHANGE

| | |
|-------|--------------------------------|
| ABC | UC 205-15 |
| ASAHI | UC 205-15 |
| SKF | YAR 205-015-2F |
| SNR | UC205-15G2 |
| SLB | UC 205-15 |
| FYH | UC 205-15 |