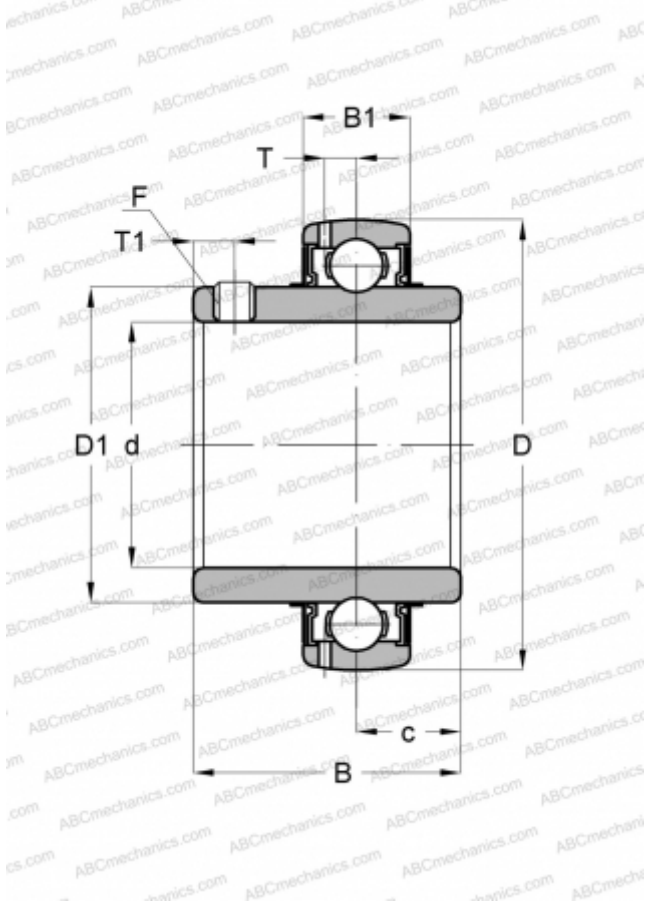


UC208-24 SLB

Insert bearings

TYPE: Ball bearings, Radial insert bearings, Grub screw to inner ring, Spherical outer ring, Seals on both side, R seal, relubrication, inch size



DIMENSIONS, MM

d	38,100
D	80,000
D1	53,010
B	49,200
B1	21,006
c	18,999
T	6,198
T1	8,001

DIMENSIONS, MM

F	5/16-24
---	---------

MANUFACTURER

[SLB](#)

INTERCHANGE

ABC	UC 208-24
ASAHI	UC 208-24
INA	GY1108-KRR-B-AS2/V
SKF	YAR 208-108-2F
IPTCI	UC208-24
AMI	UC208-24
BROWNING	VS-224
DODGE	INS-SC-108
FAFNIR	Y1108KRRB
HUB-CITY	YW250-1-1/2
LINK-BELT	UG224NL
PEER	UC208-24
SEALMASTER	2-18
FKL	LE 208-108.2F.Y
SNR	UC208-24G2
FYH	UC 208-24
NTN	UC 208-108 D1