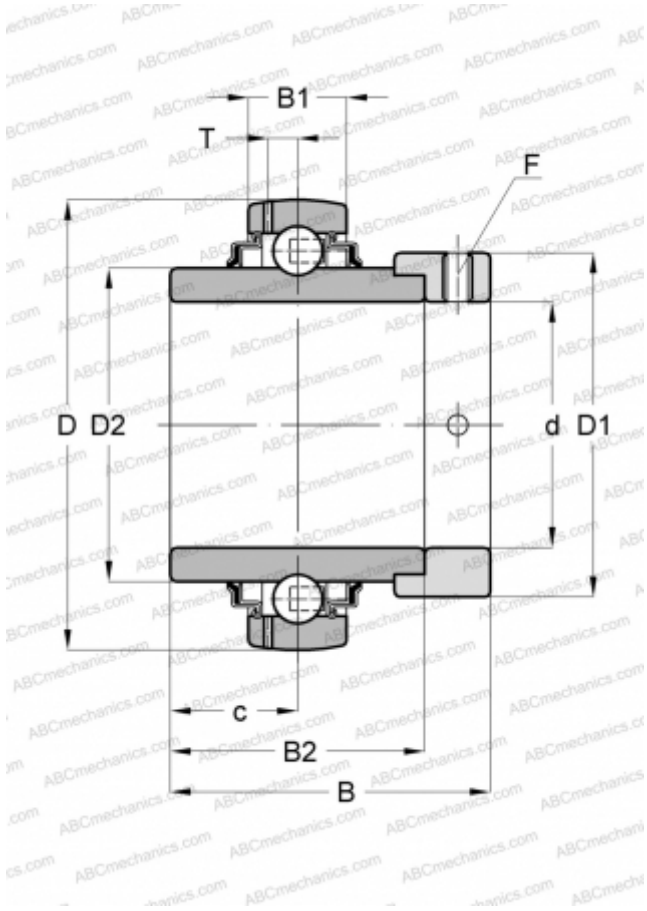


## UEL201 SLB

Insert bearings

TYPE: Ball bearings, Radial insert bearings, With eccentric locking collar, Spherical outer ring, Seals on both side, R seal, relubrication



### Technical specification

#### DIMENSIONS, MM

d	12,000
D	40,000
B	37,300
B1	15,000
B2	27,800

#### MANUFACTURER

[SLB](#)

#### INTERCHANGE

ABC	<a href="#">UGW 201+ER</a>
ASAHI	<a href="#">UGW 201+ER</a>
FYH	<a href="#">NA201</a>