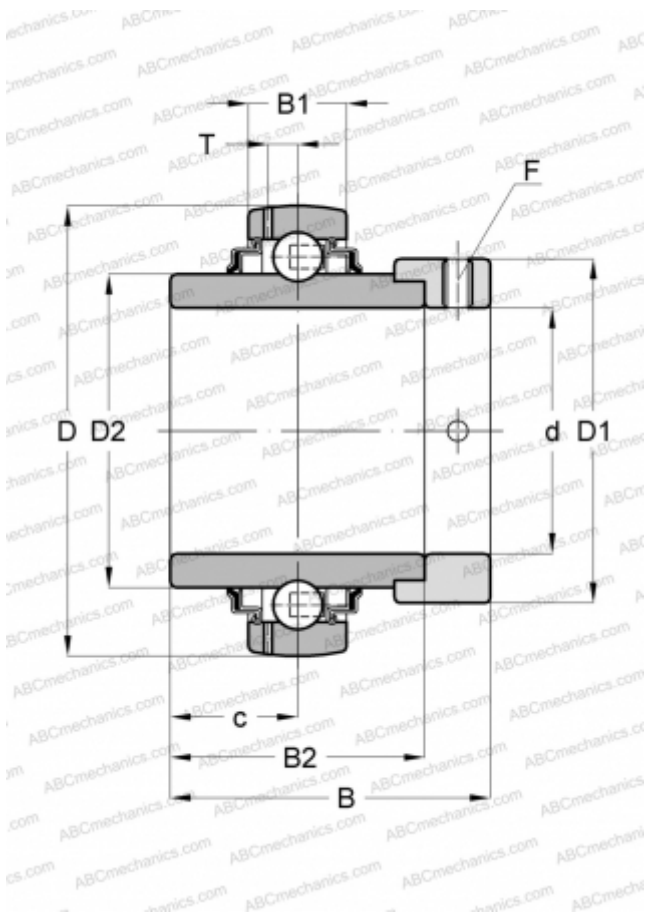


UEL212 SLB

Insert bearings

TYPE: Ball bearings, Radial insert bearings, With eccentric locking collar, Spherical outer ring, Seals on both side, R seal, relubrication



Technical specification

DIMENSIONS, MM

d	60,000
D	110,000
B	77,900
B1	24,000
B2	61,900

MANUFACTURER

[SLB](#)

INTERCHANGE

ABC	GE60-KRR-B
ASAHI	UG 212+ER
SKF	YEL 212-2F
INA	GE60-KRR-B
SNR	EX212G2
FYH	NA212
NTN	UEL 212 D1 W3