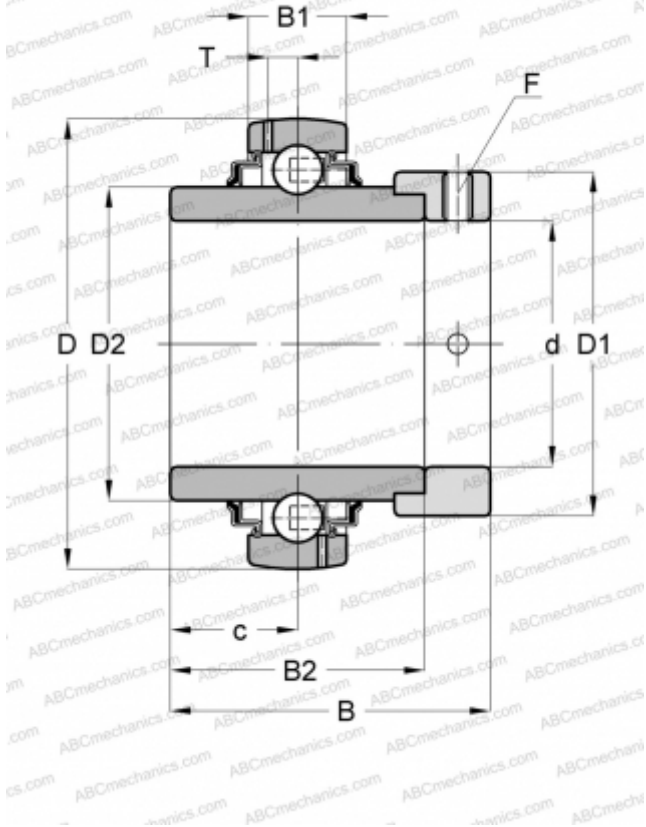


UEL 201-8 SLB

Insert bearings

TYPE: Ball bearings, Radial insert bearings, With eccentric locking collar, Spherical outer ring, Seals on both side, R seal, relubrication, inch size



Technical specification

DIMENSIONS, MM

d	12,700
D	47,000
D1	33,300
B	43,500
B1	16,000
B2	34,000
c	17,000
T	4,400
F	1/4-28UNF

MANUFACTURER

[SLB](#)

INTERCHANGE

ABC	EX201-08G2
SNR	EX201-08G2
FYH	NA201-8