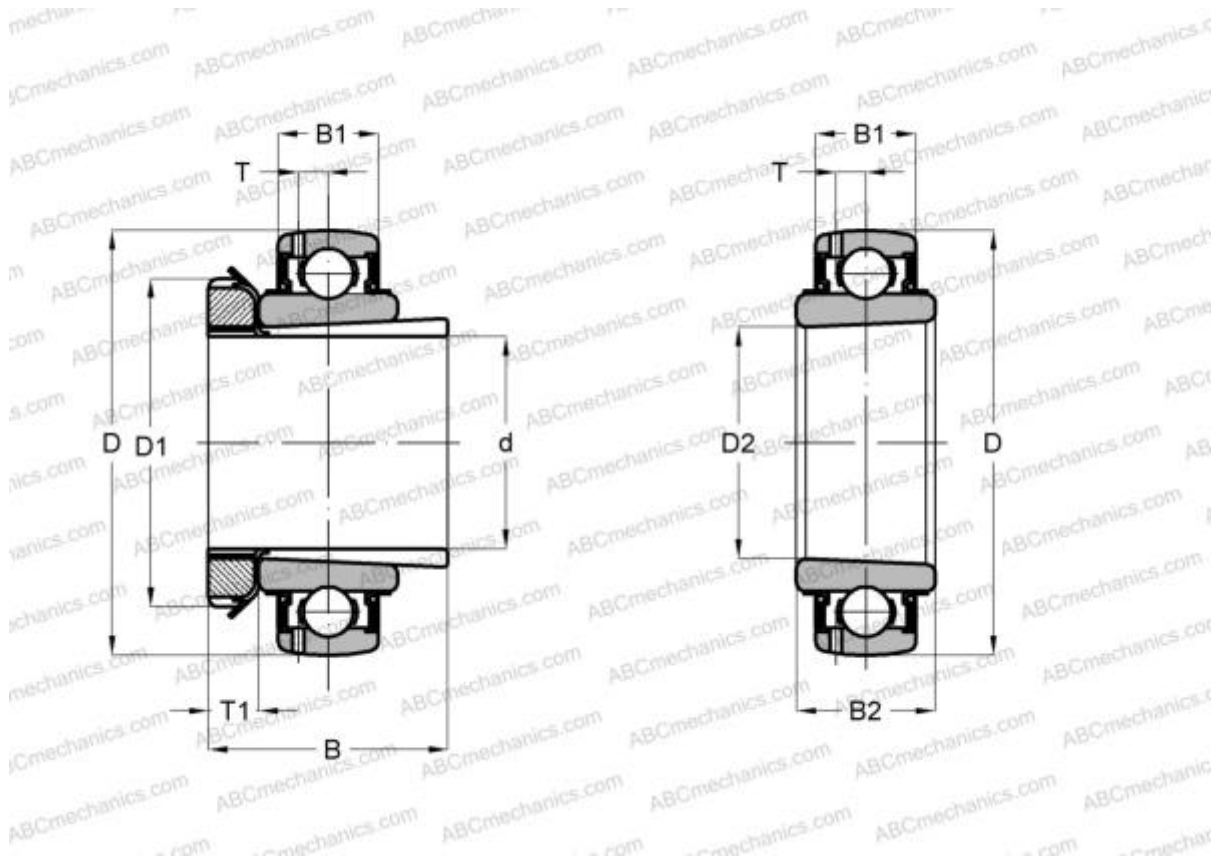


## UK 211 FYH

Insert bearings

TYPE: Ball bearings, Radial insert bearings, With adapter sleeve, Spherical outer ring, Seals on both side, RSR seal, relubrication



### Technical specification

#### DIMENSIONS, MM

d	50,000
D	100,000
D1	75,000
D2	55,000
B	59,000
B1	24,000
B2	33,000
T	7,300
T1	12,000

**MANUFACTURER** [FYH](#)

#### INTERCHANGE

ABC	<a href="#">UK 211 + H2311</a>
SKF	<a href="#">YSA 211-2FK</a>
ASAHI	<a href="#">UK 211 + H2311</a>

#### INTERCHANGE

FKL	<a href="#">LK 211 2F</a>
SNR	<a href="#">UK211+H</a>
SLB	<a href="#">UK211</a>
NTN	<a href="#">UK 211 D1</a>