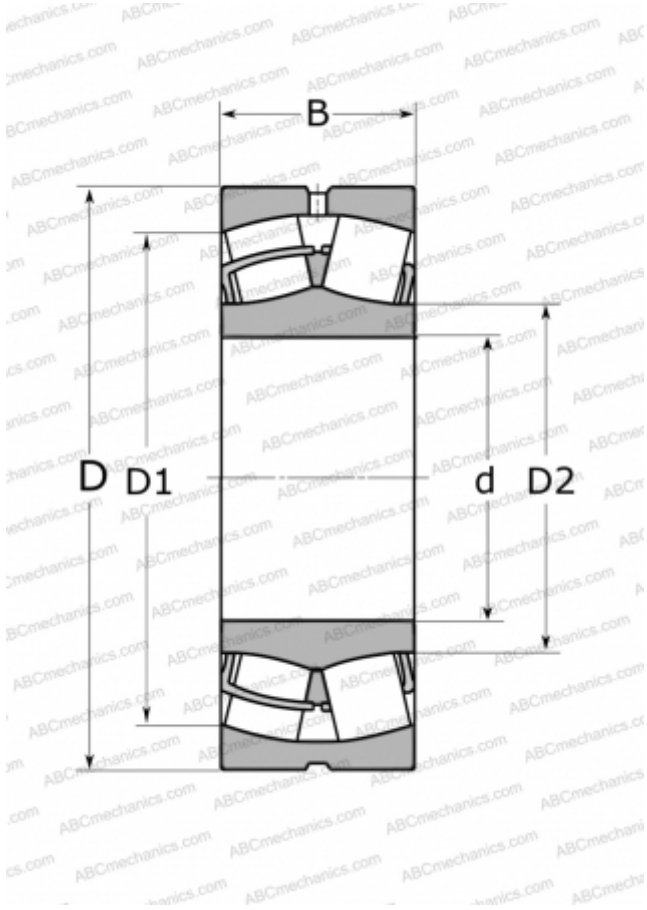


22308 E/VA405 SKF

Spherical roller bearings

TYPE: Roller bearings, Spherical, Double row, Radial, for vibratory loads



Technical specification

DIMENSIONS, MM

d	40,000
D	90,000
D1	74,300
D2	49,700
B	33,000

MANUFACTURER

[SKF](#)

INTERCHANGE

ABC	22308 W33 F80
FAG	22308-E1-T41A
NSK	22308 HE4C4U15-VS
TIMKEN	22308 W22BRC4
NTN	22308 CVS2

CALCULATION DATA

Basic dynamic load rating, C	150,000 kN
Basic static load rating, Co	140,000 kN
Fatigue load limit, Pu	15,000 kN
Reference speed	6000 r/min
Limiting speed	8000 r/min

REPLACES

452308 CACM2/W502; 452308 M2/W502