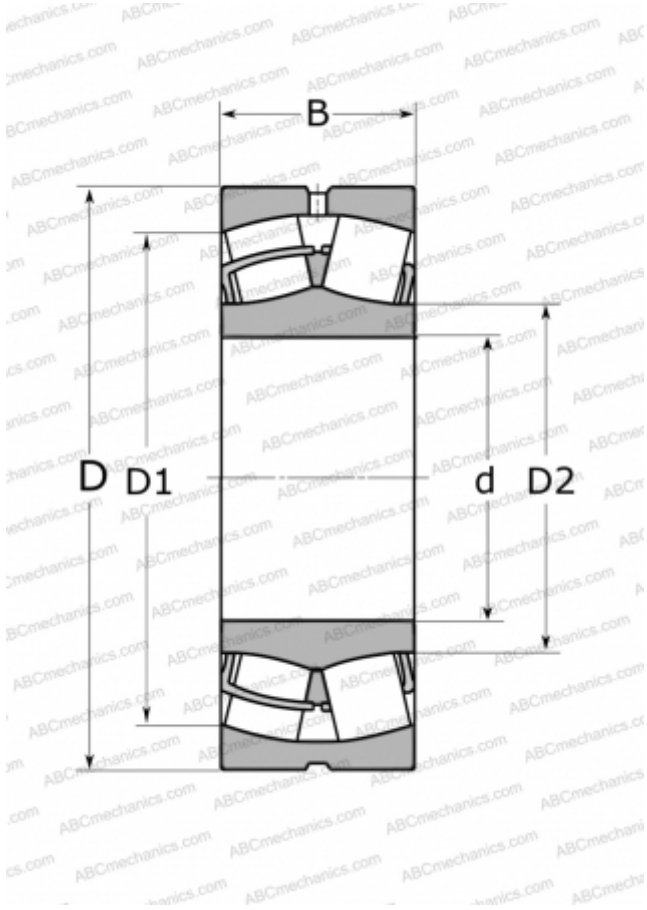


## 22308-E1-T41A FAG

Spherical roller bearings

TYPE: Roller bearings, Spherical, Double row, Radial, for vibratory loads



### Technical specification

#### DIMENSIONS, MM

d	40,000
D	90,000
D1	76,000
D2	49,000
B	33,000

#### MANUFACTURER

[FAG](#)

#### INTERCHANGE

ABC	<a href="#">22308 W33 F80</a>
SKF	<a href="#">22308 E/VA405</a>
NSK	<a href="#">22308 HE4C4U15-VS</a>
TIMKEN	<a href="#">22308 W22BRC4</a>
NTN	<a href="#">22308 CVS2</a>

#### CALCULATION DATA

Basic dynamic load rating, C	156,000 kN
Basic static load rating, Co	149,000 kN
Fatigue load limit, Pu	13,100 kN
Reference speed	5500 r/min
Limiting speed	7500 r/min

#### REPLACES

22308-E1-XL-T41A; 22308 EAS MA T41A