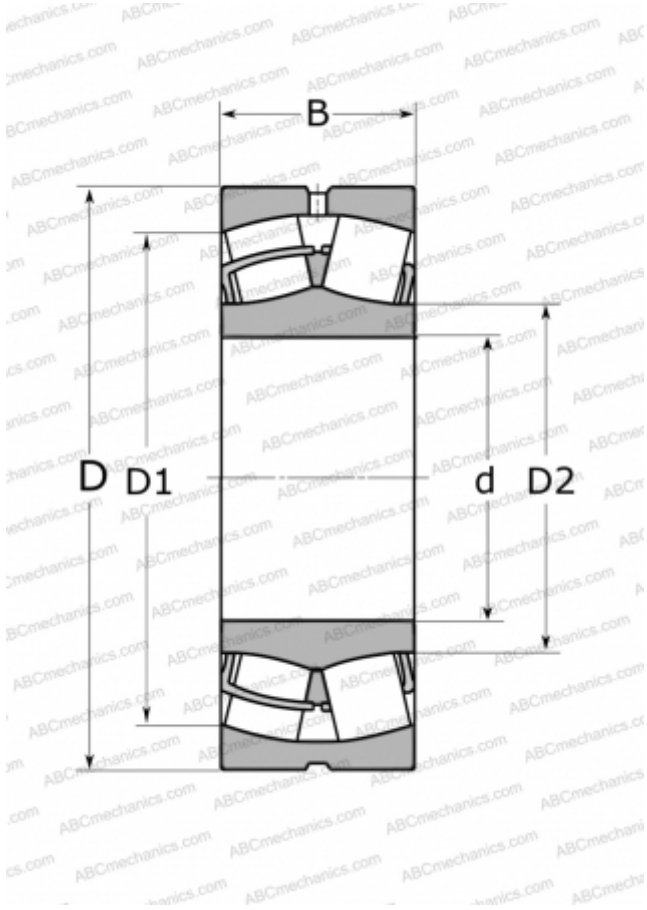


22309 E/VA405 SKF

Spherical roller bearings

TYPE: Roller bearings, Spherical, Double row, Radial, for vibratory loads



Technical specification

DIMENSIONS, MM

d	45,000
D	100,000
D1	83,400
D2	56,400
B	36,000

MANUFACTURER

[SKF](#)

INTERCHANGE

ABC	22309 W33 F80
FAG	22309-E1-T41A
NSK	22309 HE4C4U15-VS
TIMKEN	22309 YMW33W800C4
NTN	22309 CVS2

CALCULATION DATA

Basic dynamic load rating, C	183,000 kN
Basic static load rating, Co	183,000 kN
Fatigue load limit, Pu	19,600 kN
Reference speed	5300 r/min
Limiting speed	7000 r/min

REPLACES

452309 CACM2/W502; 452309 M2/W502