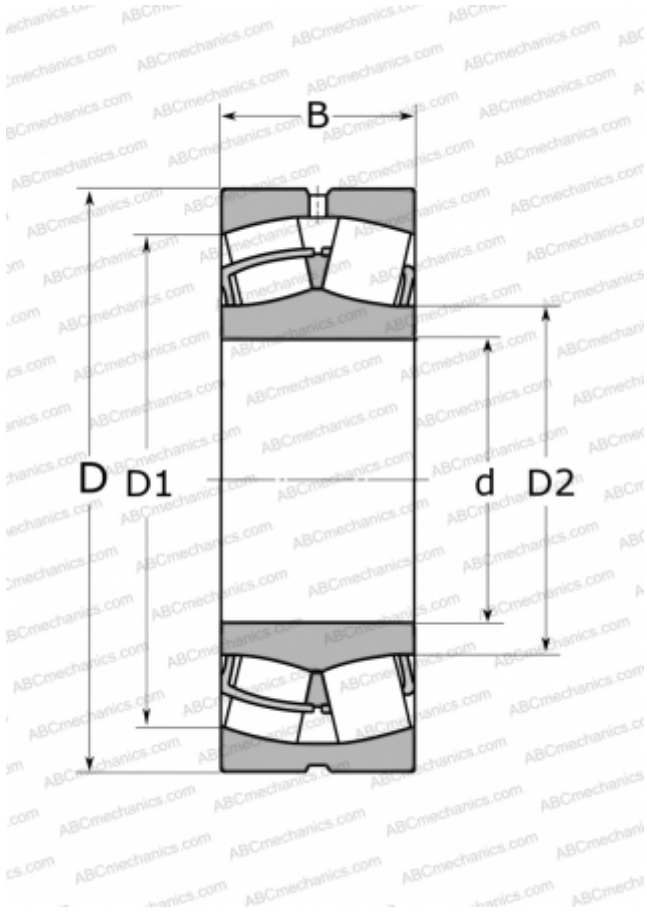


## 22309-E1-T41A FAG

Spherical roller bearings

TYPE: Roller bearings, Spherical, Double row, Radial, for vibratory loads



### Technical specification

#### DIMENSIONS, MM

d	45,000
D	100,000
D1	84,700
D2	54,000
B	36,000

#### MANUFACTURER

[FAG](#)

#### INTERCHANGE

ABC	<a href="#">22309 W33 F80</a>
SKF	<a href="#">22309 E/VA405</a>
NSK	<a href="#">22309 HE4C4U15-VS</a>
TIMKEN	<a href="#">22309 YMW33W800C4</a>
NTN	<a href="#">22309 CVS2</a>

#### CALCULATION DATA

Basic dynamic load rating, C	187,000 kN
Basic static load rating, Co	183,000 kN
Fatigue load limit, Pu	16,100 kN
Reference speed	5000 r/min
Limiting speed	6700 r/min

#### REPLACES

22309-E1-XL-T41A; 22309 EAS MA T41A