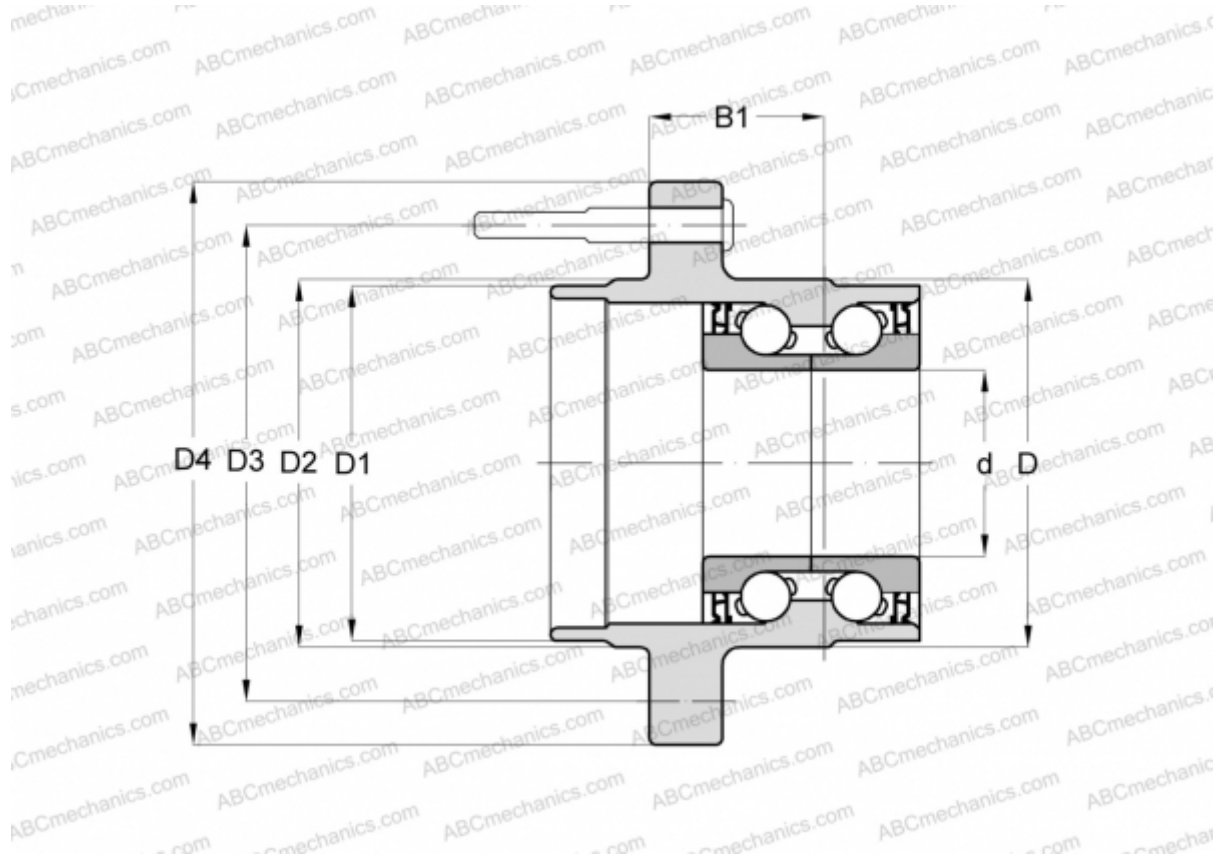


## 101150 FAG

Angular contact ball bearings

TYPE: Ball bearings, Angular contact ball bearing, Double row, Hub bearing (unit), Generation 2



### Technical specification

#### DIMENSIONS, MM

d	25,000
D	79,100
D1	60,000
D2	65,950
D3	100,000
D4	132,000
B1	54,000

**MANUFACTURER** [FAG](#)

#### INTERCHANGE

OEM [7700304982](#)  
 NTN-SNR [TGB.12095.S42](#)