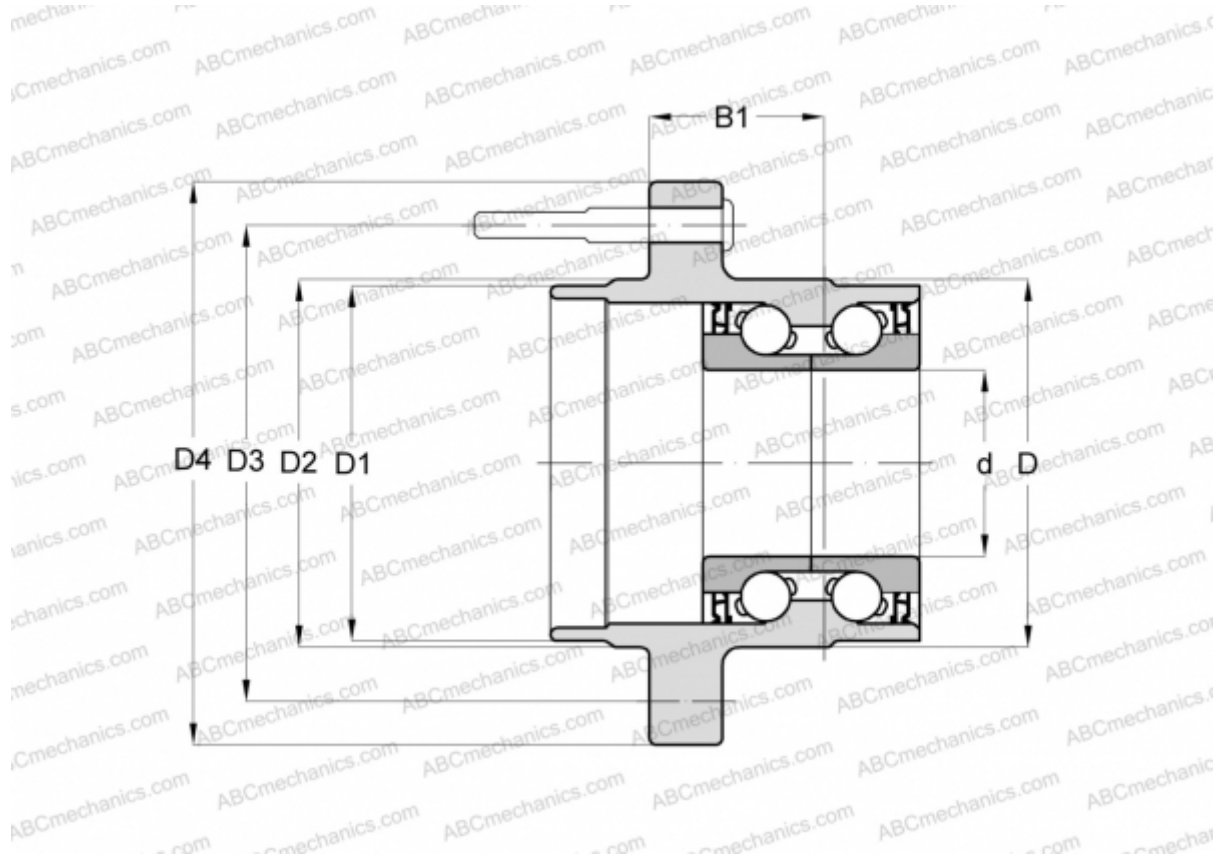


7700304982 OEM

Angular contact ball bearings

TYPE: Ball bearings, Angular contact ball bearing, Double row, Hub bearing (unit), Generation 2



Technical specification

DIMENSIONS, MM

d	25,000
D	79,100
D1	60,000
D2	65,950
D3	100,000
D4	132,000
B1	54,000

MANUFACTURER [OEM](#)

INTERCHANGE

FAG [101150](#)
 NTN-SNR [TGB.12095.S42](#)