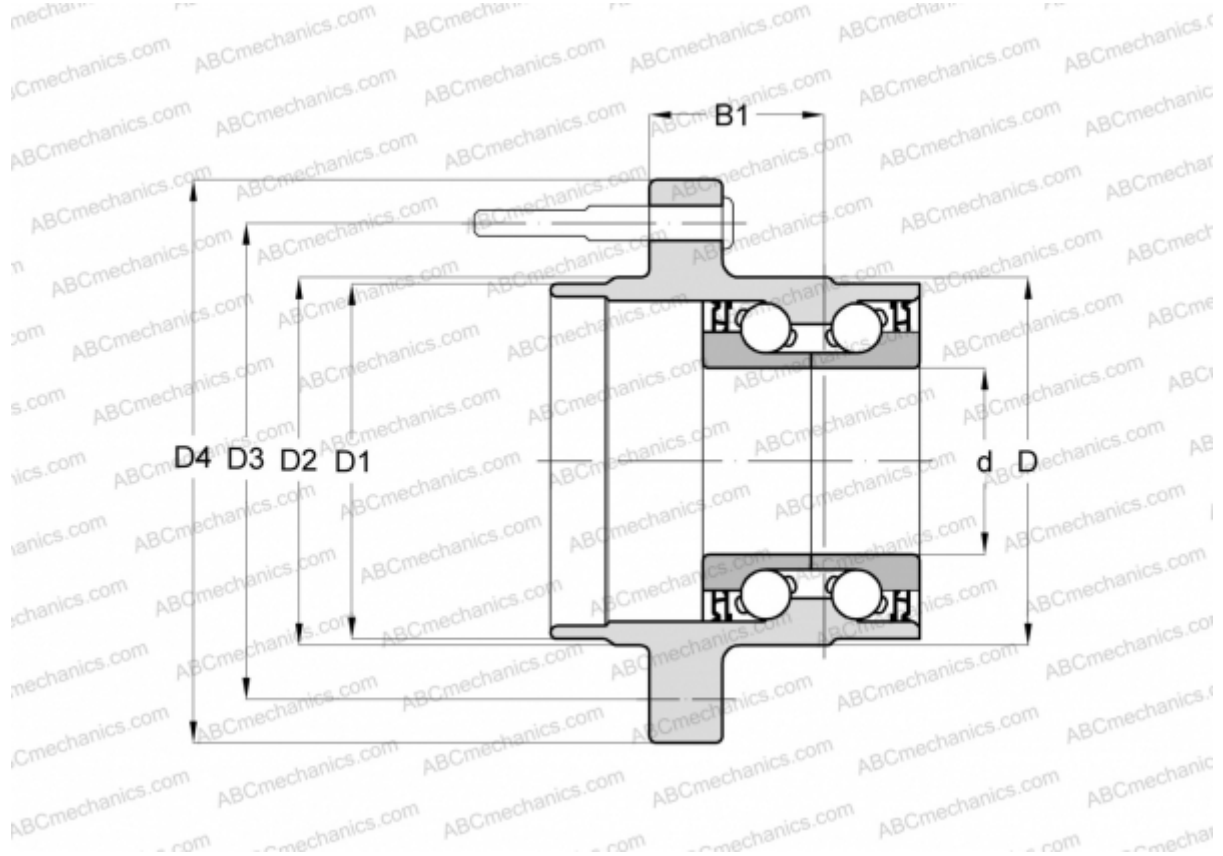


101191 FAG

Angular contact ball bearings

TYPE: Ball bearings, Angular contact ball bearing, Double row, Hub bearing (unit), Generation 2



Technical specification

DIMENSIONS, MM

d	25,000
D	78,150
D1	65,000
D2	71,000
D3	108,000
D4	129,000
B1	42,000

MANUFACTURER [FAG](#)

INTERCHANGE

OEM [9621779580](#)
 NTN-SNR [TGB.40540.S03](#)