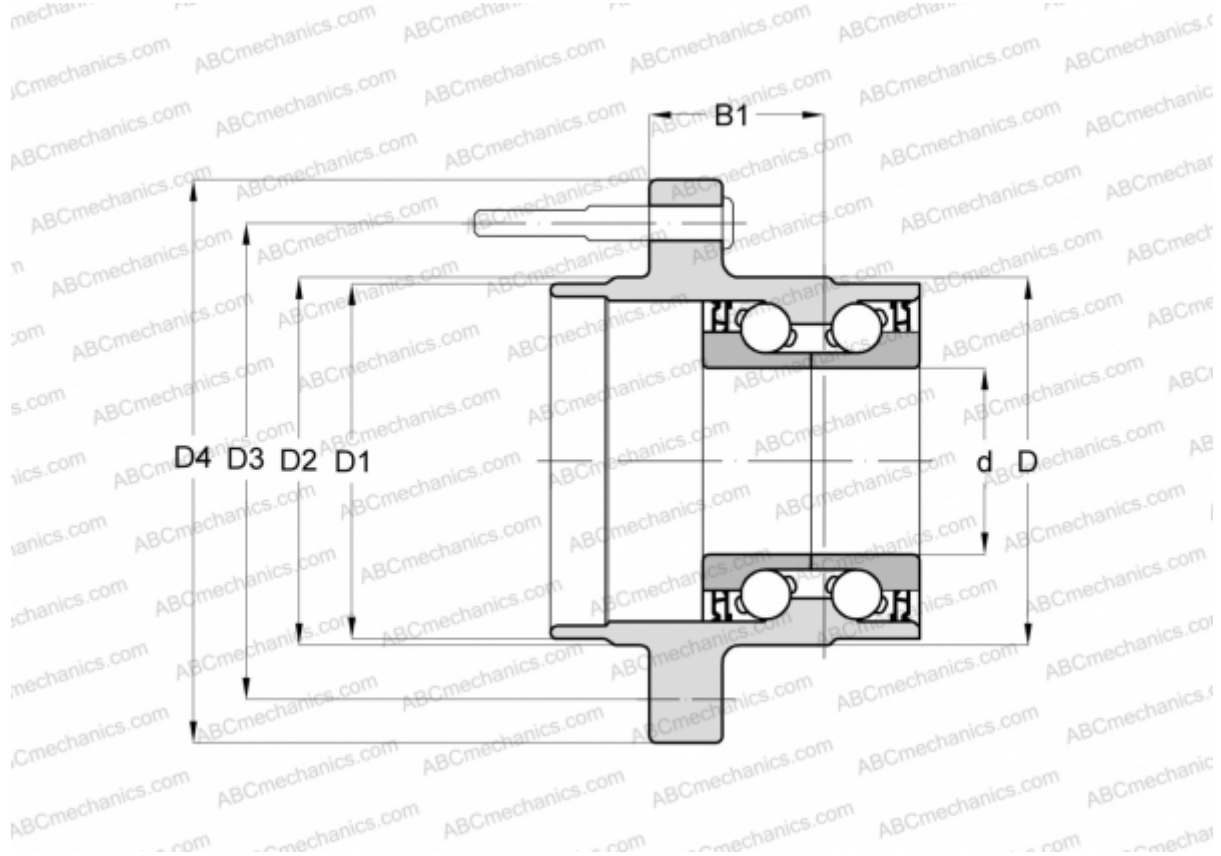


## 9621779580 OEM

Angular contact ball bearings

TYPE: Ball bearings, Angular contact ball bearing, Double row, Hub bearing (unit), Generation 2



### Technical specification

#### DIMENSIONS, MM

d	25,000
D	78,150
D1	65,000
D2	71,000
D3	108,000
D4	129,000
B1	42,000

**MANUFACTURER** [OEM](#)

#### INTERCHANGE

FAG [101191](#)  
 NTN-SNR [TGB.40540.S03](#)