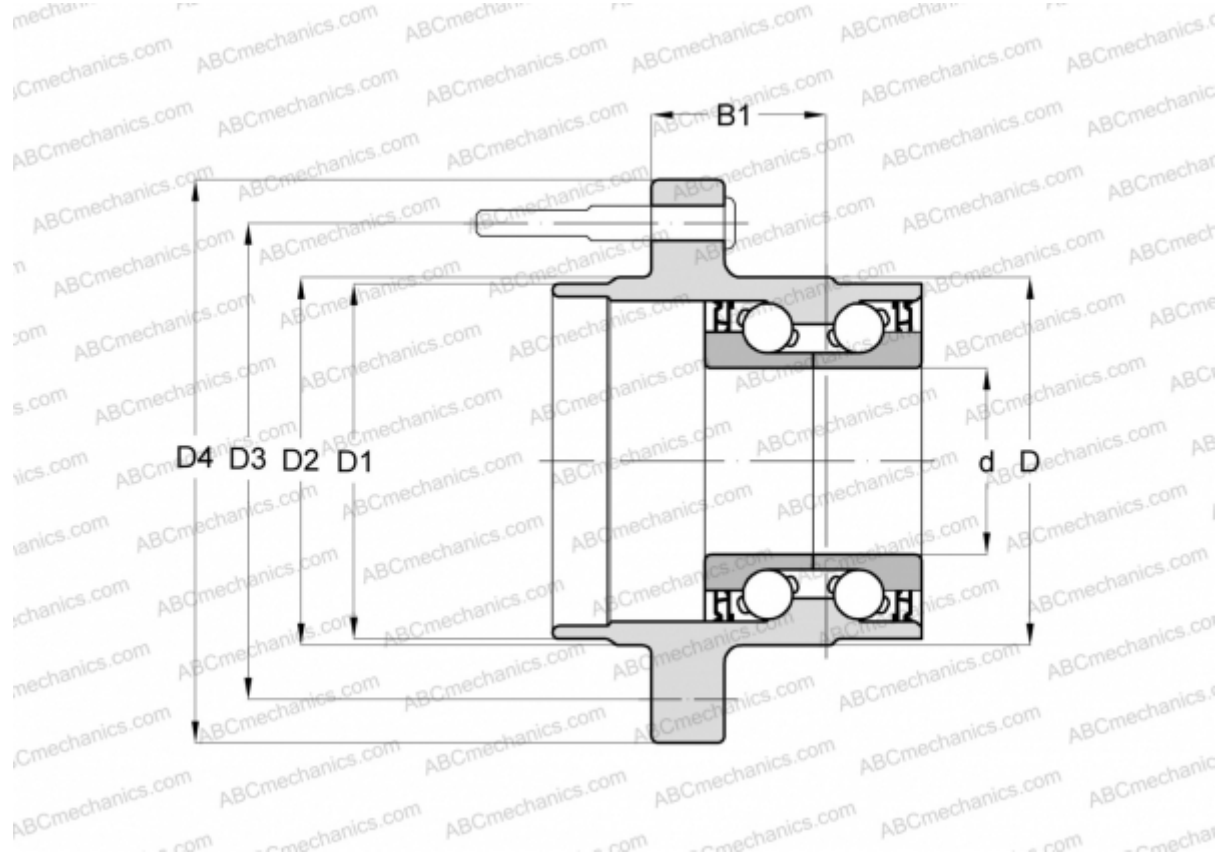


BR930134 SKF

Angular contact ball bearings

TYPE: Ball bearings, Angular contact ball bearing, Double row, Hub bearing (unit), Generation 2



Technical specification

DIMENSIONS, MM

d	27,000
D	64,000
D1	59,000
D2	68,000
D3	100,000
D4	134,000
B1	52,500

MANUFACTURER

[SKF](#)

INTERCHANGE

FAG	102105
OEM	43200-50Y06
FEDERAL-MOGU L	512025
NSK	27BWK04LY-2-F
TIMKEN	512025