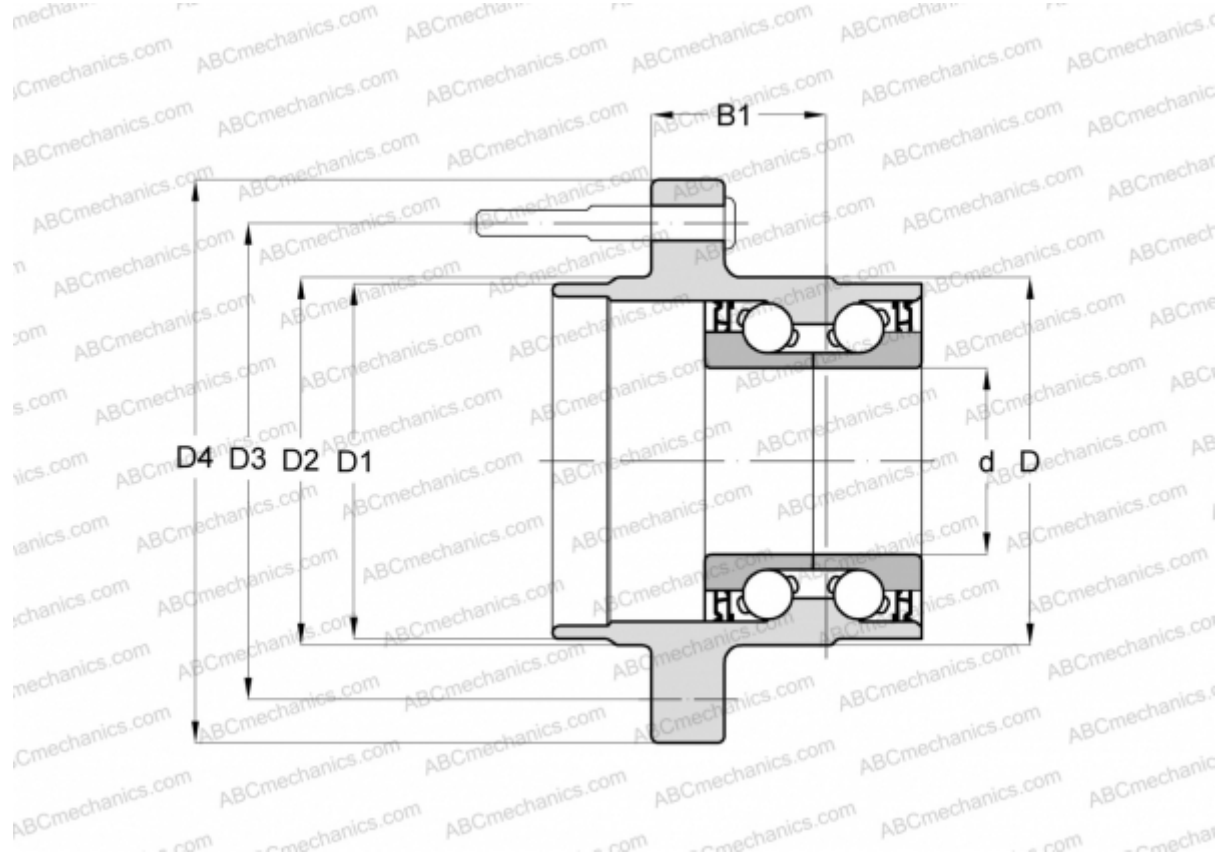


## 512025 TIMKEN

Angular contact ball bearings

TYPE: Ball bearings, Angular contact ball bearing, Double row, Hub bearing (unit), Generation 2



### Technical specification

#### DIMENSIONS, MM

d	27,000
D	64,000
D1	59,000
D2	68,000
D3	100,000
D4	134,000
B1	52,500

#### MANUFACTURER

[TIMKEN](#)

#### INTERCHANGE

FAG	<a href="#">102105</a>
OEM	<a href="#">43200-50Y06</a>
FEDERAL-MOGU L	<a href="#">512025</a>
NSK	<a href="#">27BWK04LY-2-F</a>
SKF	<a href="#">BR930134</a>