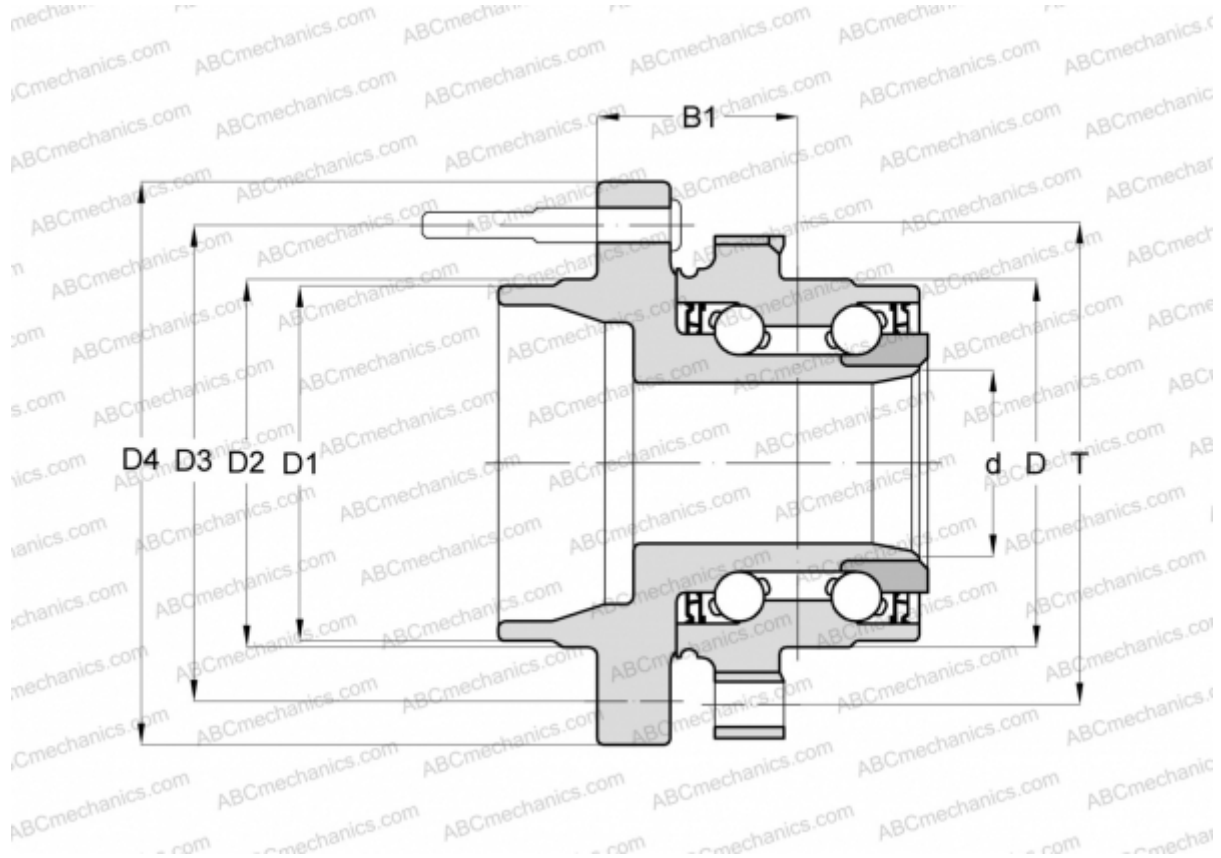


## 512304 FEDERAL-MOGUL

Angular contact ball bearings

TYPE: Ball bearings, Angular contact ball bearing, Double row, Hub bearing (unit), Generation 3



### Technical specification

#### DIMENSIONS, MM

|    |         |
|----|---------|
| D  | 74,000  |
| D1 | 56,000  |
| D2 | 64,100  |
| D3 | 100,000 |
| D4 | 137,500 |
| B1 | 56,500  |
| T  | 93,200  |

#### INTERCHANGE

|               |                             |
|---------------|-----------------------------|
| NTN-SNR       | <a href="#">R162.53</a>     |
| FAG           | <a href="#">101742</a>      |
| OEM           | <a href="#">33416786620</a> |
| FEDERAL-MOGUL | <a href="#">512427</a>      |
| SKF           | <a href="#">BR930763</a>    |
| TIMKEN        | <a href="#">512427</a>      |

#### MANUFACTURER

[FEDERAL-MOGUL](#)

#### INTERCHANGE

|        |                                    |
|--------|------------------------------------|
| FAG    | <a href="#">101621</a>             |
| OEM    | <a href="#">33416774944</a>        |
| NSK    | <a href="#">49BWKH22B-Y-5CP-01</a> |
| SKF    | <a href="#">BR930375</a>           |
| TIMKEN | <a href="#">HA590161</a>           |