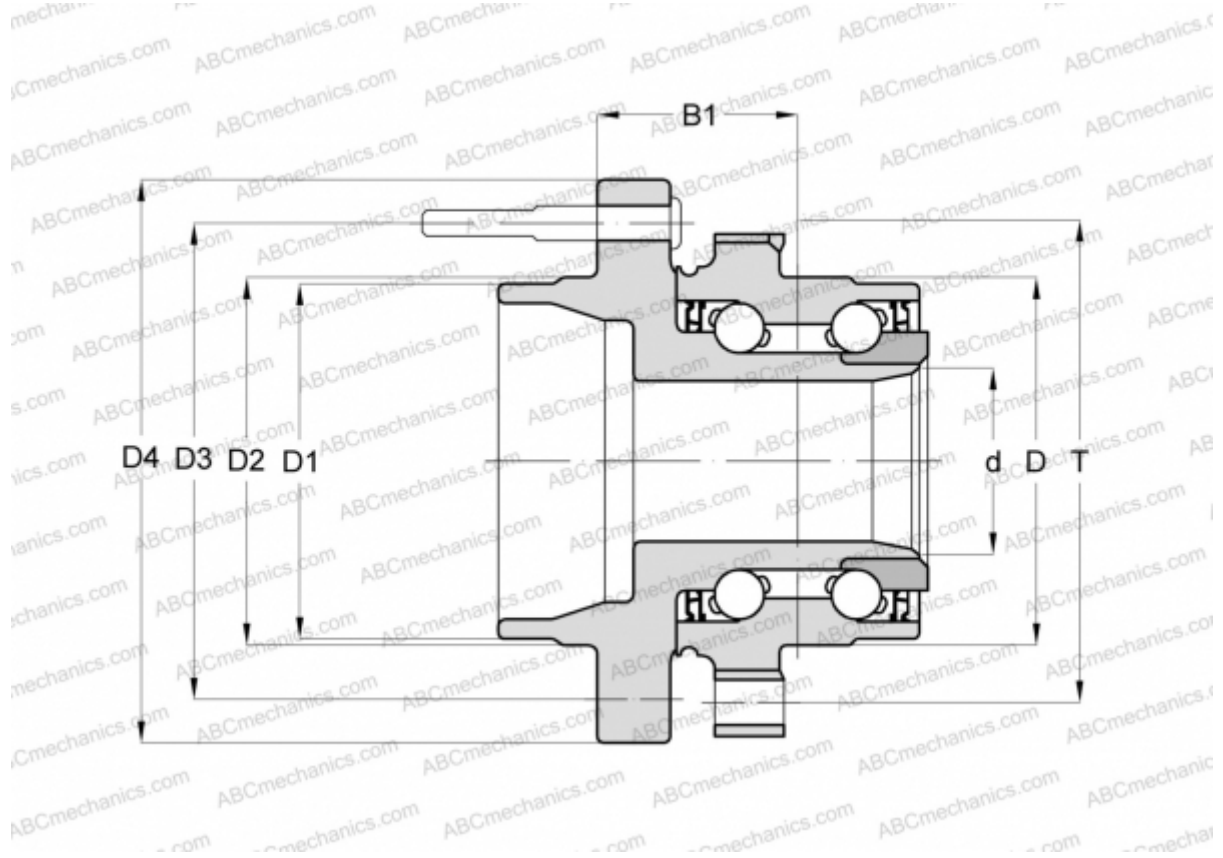


R162.53 NTN-SNR

Angular contact ball bearings

TYPE: Ball bearings, Angular contact ball bearing, Double row, Hub bearing (unit), Generation 3



Technical specification

DIMENSIONS, MM

D	74,000
D1	56,000
D2	64,100
D3	100,000
D4	137,500
B1	56,500
T	93,200

INTERCHANGE

TIMKEN	HA590161
FAG	101742
OEM	33416786620
FEDERAL-MOGU L	512427
SKF	BR930763
TIMKEN	512427

MANUFACTURER [NTN-SNR](#)

INTERCHANGE

FAG	101621
OEM	33416774944
FEDERAL-MOGU L	512304
NSK	49BWKH22B-Y-5CP-01
SKF	BR930375