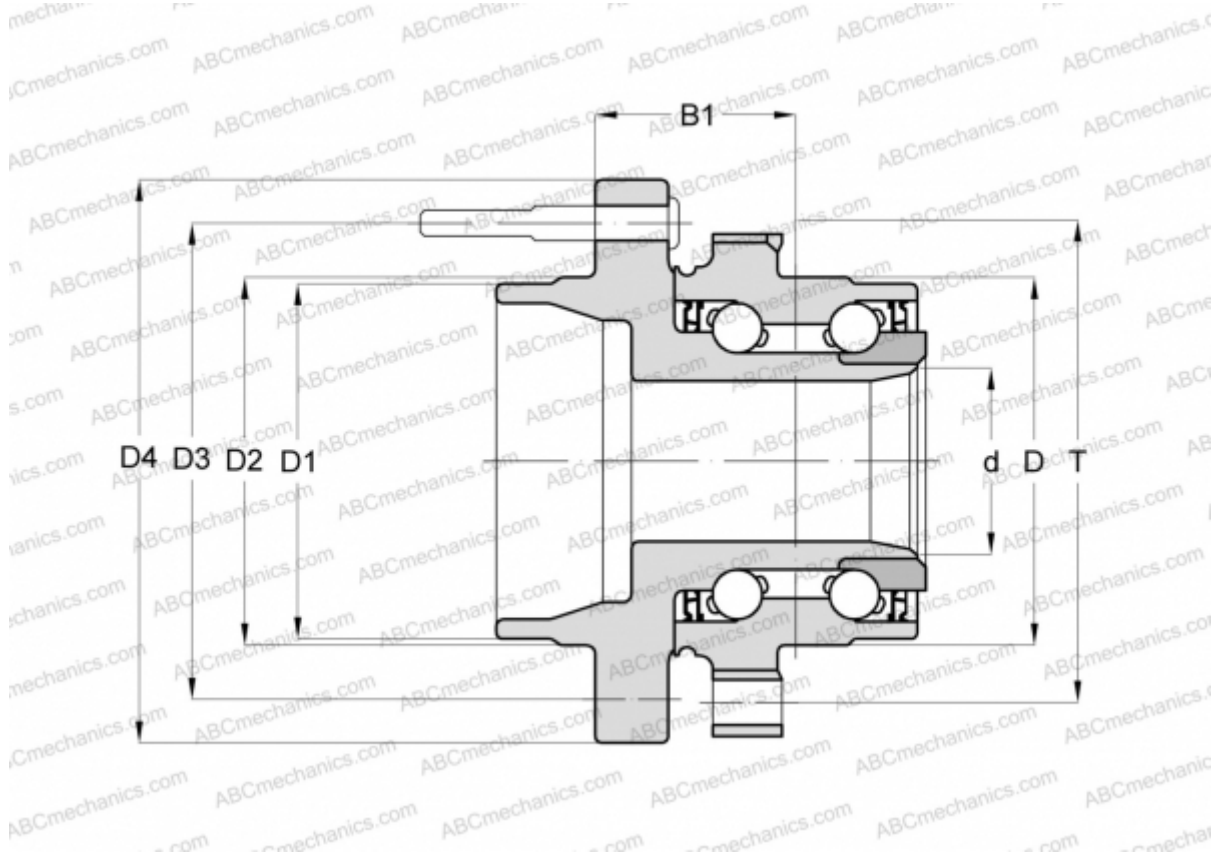


## 31226756889 OEM

Angular contact ball bearings

TYPE: Ball bearings, Angular contact ball bearing, Double row, Hub bearing (unit), Generation 3



### Technical specification

#### DIMENSIONS, MM

D	80,900
D1	56,000
D2	64,000
D3	100,000
D4	137,500
B1	44,000
T	102,000

**MANUFACTURER** [OEM](#)

#### INTERCHANGE

FAG	<a href="#">101622</a>
FEDERAL-MOGU L	<a href="#">513226</a>
NSK	<a href="#">62BWKH01A1-Y-SC-01</a>
SKF	<a href="#">BR930374</a>
TIMKEN	<a href="#">513226</a>