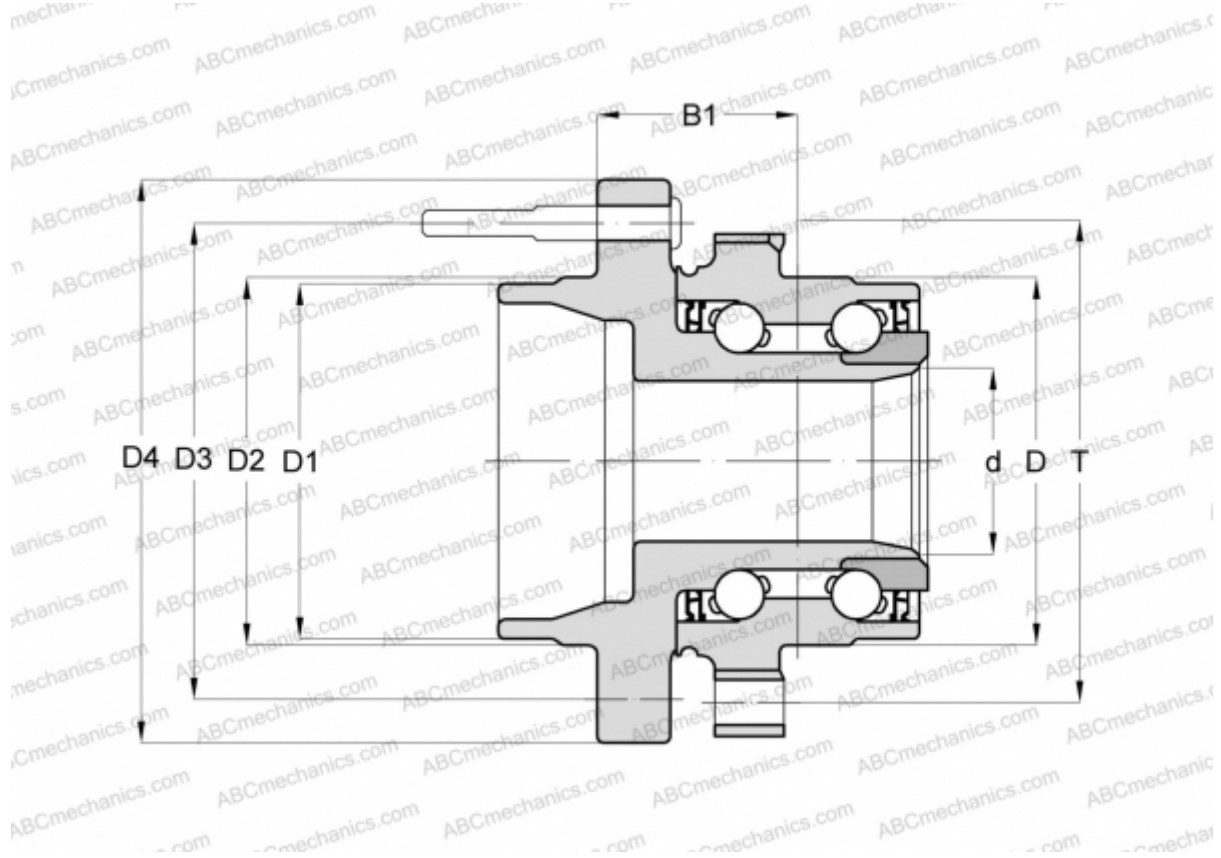


62BWKH01A1-Y-SC-01 NSK

Angular contact ball bearings

TYPE: Ball bearings, Angular contact ball bearing, Double row, Hub bearing (unit), Generation 3



Technical specification

DIMENSIONS, MM

D	80,900
D1	56,000
D2	64,000
D3	100,000
D4	137,500
B1	44,000
T	102,000

MANUFACTURER

[NSK](#)

INTERCHANGE

FAG	101622
OEM	31226756889
FEDERAL-MOGU L	513226
SKF	BR930374
TIMKEN	513226