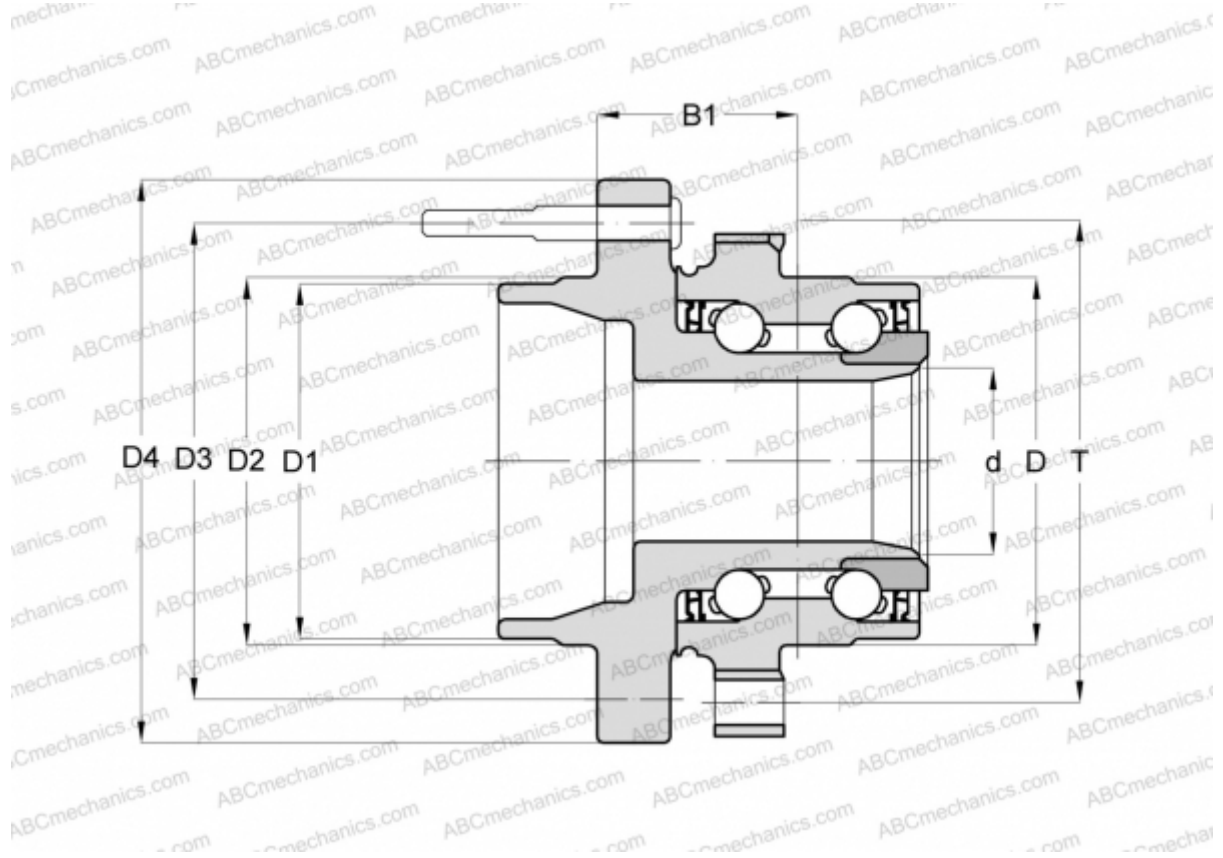


513226 TIMKEN

Angular contact ball bearings

TYPE: Ball bearings, Angular contact ball bearing, Double row, Hub bearing (unit), Generation 3



Technical specification

DIMENSIONS, MM

| | |
|----|---------|
| D | 80,900 |
| D1 | 56,000 |
| D2 | 64,000 |
| D3 | 100,000 |
| D4 | 137,500 |
| B1 | 44,000 |
| T | 102,000 |

MANUFACTURER

[TIMKEN](#)

INTERCHANGE

| | |
|----------------|------------------------------------|
| FAG | 101622 |
| OEM | 31226756889 |
| FEDERAL-MOGU L | 513226 |
| NSK | 62BWKH01A1-Y-SC-01 |
| SKF | BR930374 |