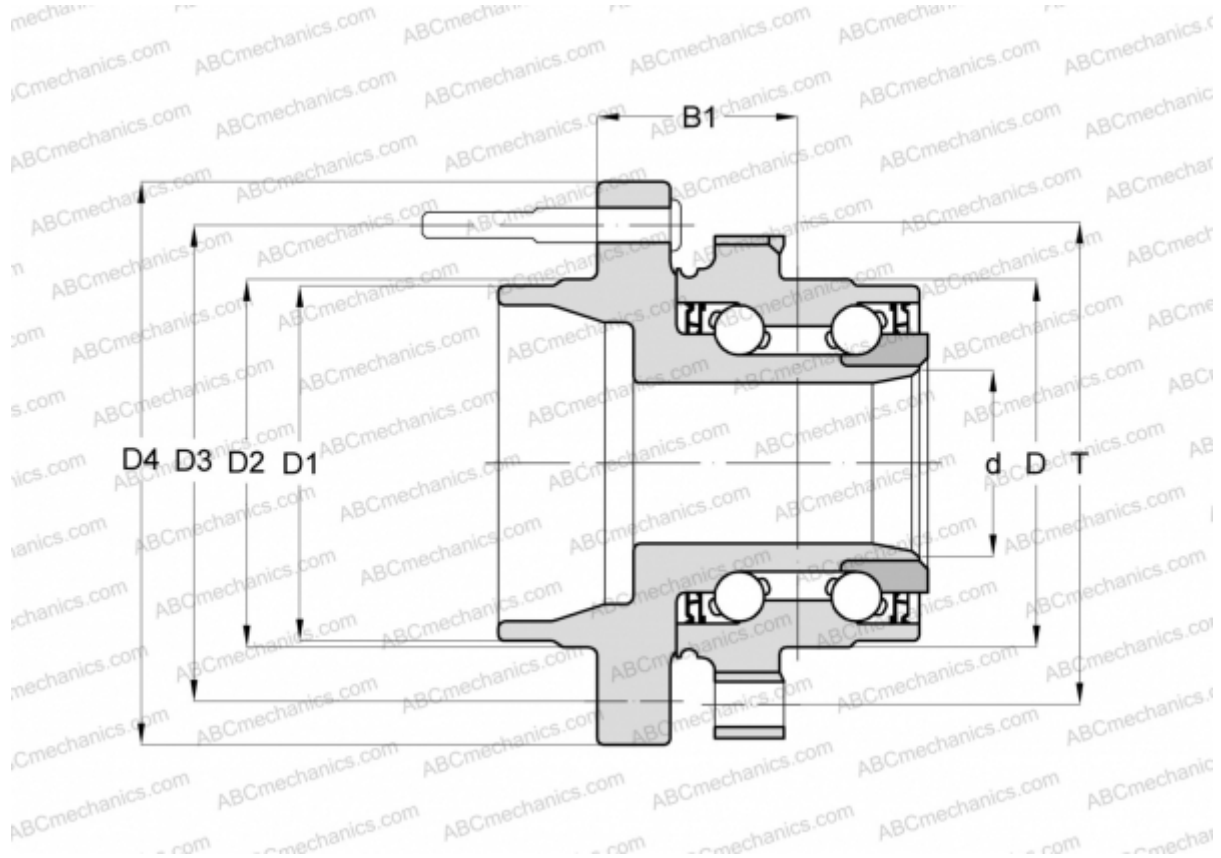


## 33416786620 OEM

Angular contact ball bearings

TYPE: Ball bearings, Angular contact ball bearing, Double row, Hub bearing (unit), Generation 3



### Technical specification

#### DIMENSIONS, MM

D	74,000
D1	56,000
D2	64,000
D3	100,000
D4	137,490
B1	32,000
T	93,000

#### INTERCHANGE

FAG	<a href="#">101621</a>
OEM	<a href="#">33416774944</a>
FEDERAL-MOGU L	<a href="#">512304</a>
SKF	<a href="#">BR930375</a>
TIMKEN	<a href="#">HA590161</a>
NTN-SNR	<a href="#">R162.53</a>

**MANUFACTURER** [OEM](#)

#### INTERCHANGE

FAG	<a href="#">101742</a>
NSK	<a href="#">49BWKH22B-Y-5CP-01</a>
FEDERAL-MOGU L	<a href="#">512427</a>
SKF	<a href="#">BR930763</a>
TIMKEN	<a href="#">512427</a>