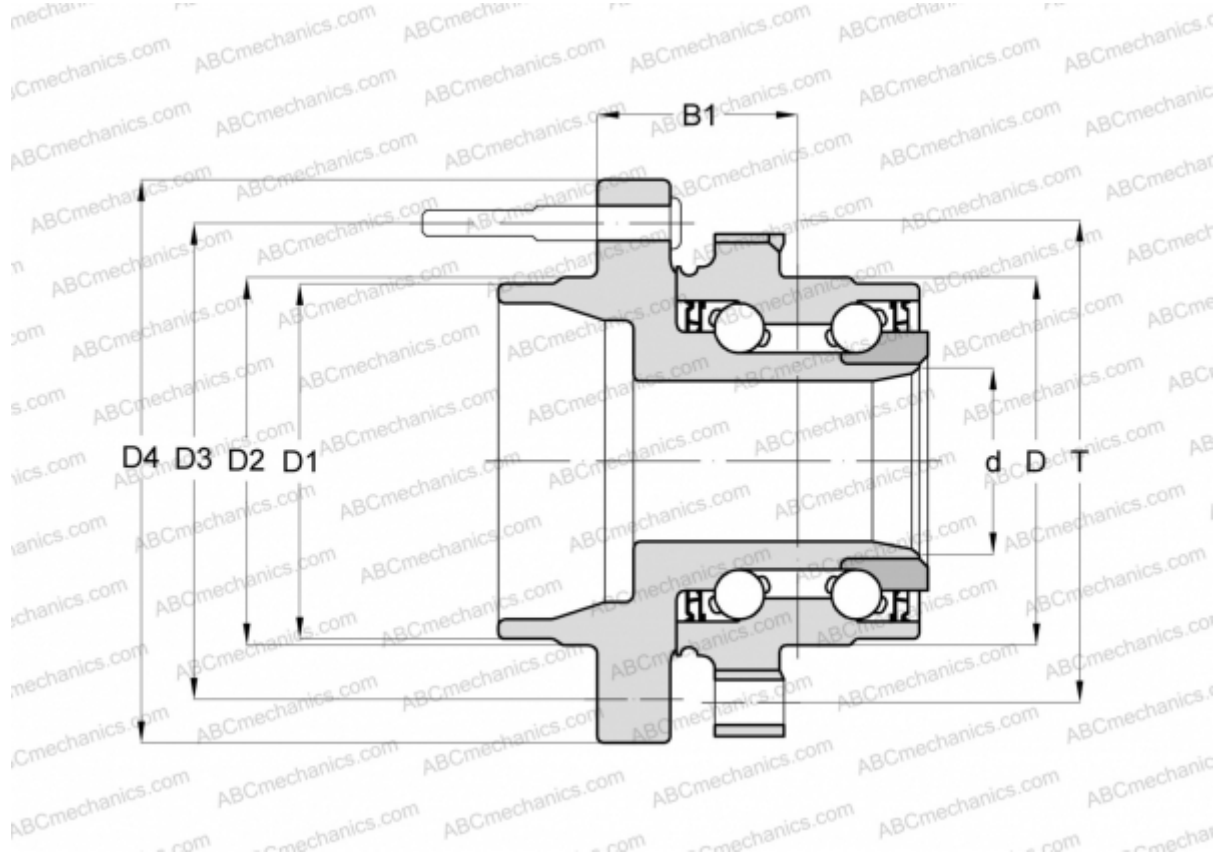


512427 TIMKEN

Angular contact ball bearings

TYPE: Ball bearings, Angular contact ball bearing, Double row, Hub bearing (unit), Generation 3



Technical specification

DIMENSIONS, MM

| | |
|----|---------|
| D | 74,000 |
| D1 | 56,000 |
| D2 | 64,000 |
| D3 | 100,000 |
| D4 | 137,490 |
| B1 | 32,000 |
| T | 93,000 |

INTERCHANGE

| | |
|----------------|-----------------------------|
| FAG | 101621 |
| OEM | 33416774944 |
| FEDERAL-MOGU L | 512304 |
| SKF | BR930375 |
| TIMKEN | HA590161 |
| NTN-SNR | R162.53 |

MANUFACTURER [TIMKEN](#)

INTERCHANGE

| | |
|----------------|------------------------------------|
| FAG | 101742 |
| NSK | 49BWKH22B-Y-5CP-01 |
| OEM | 33416786620 |
| FEDERAL-MOGU L | 512427 |
| SKF | BR930763 |