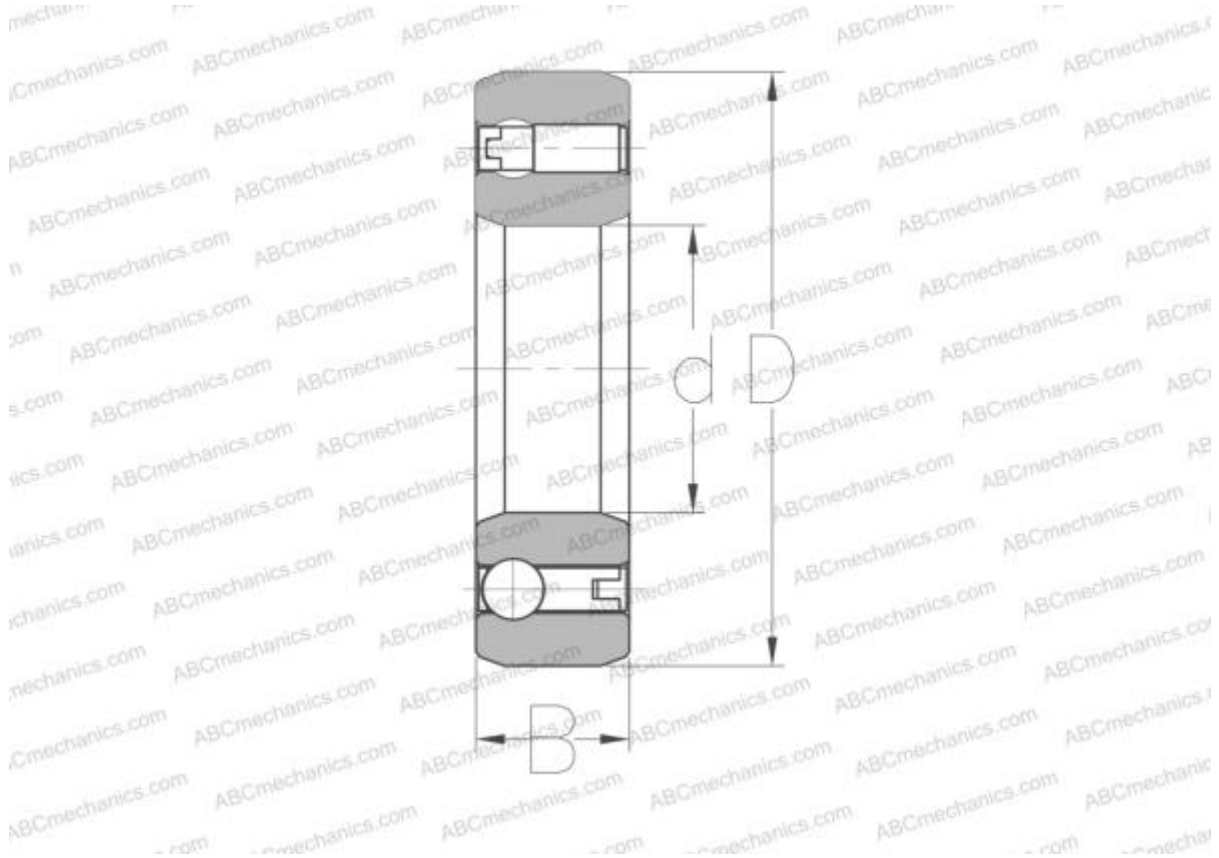


CSK 8 STIEBER

Freewheel

TYPE: Freewheel, Combined bearing/freewheel, Integral bearing based on series 62, 60, Open



Technical specification

DIMENSIONS, MM

d	8,000
D	22,000
B	9,000

REPLACES

KK 8

MANUFACTURER

[STIEBER](#)

INTERCHANGE

ABC	CSK 8
TSUBAKI	BB8
RINGSPANN	ZZ 8
RENOLD	RNUK 8 ZZ
CROSS+MORSE	CKK 8
C.T.S.	UK 8 ZZ

CALCULATION DATA

Basic dynamic load rating, C	3,280 kN
Basic static load rating, Co	0,860 kN