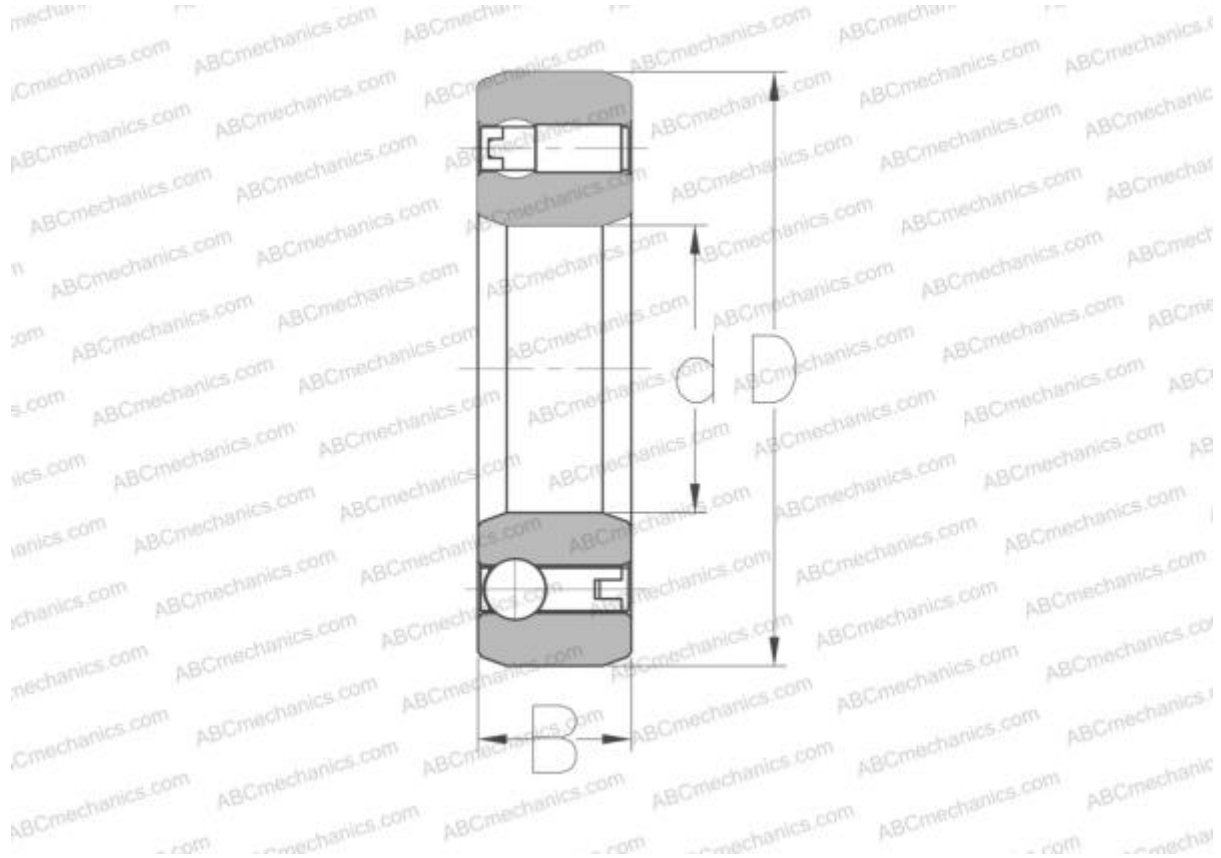


## ZZ 8 RINGSPANN

Freewheel

TYPE: Freewheel, Combined bearing/freewheel, Integral bearing based on series 62, 60, Open



### Technical specification

#### DIMENSIONS, MM

d	8,000
D	22,000
B	9,000

#### MANUFACTURER

[RINGSPANN](#)

#### INTERCHANGE

ABC	<a href="#">CSK 8</a>
STIEBER	<a href="#">CSK 8</a>
TSUBAKI	<a href="#">BB8</a>
RENOLD	<a href="#">RNUK 8 ZZ</a>
CROSS+MORSE	<a href="#">CKK 8</a>
C.T.S.	<a href="#">UK 8 ZZ</a>