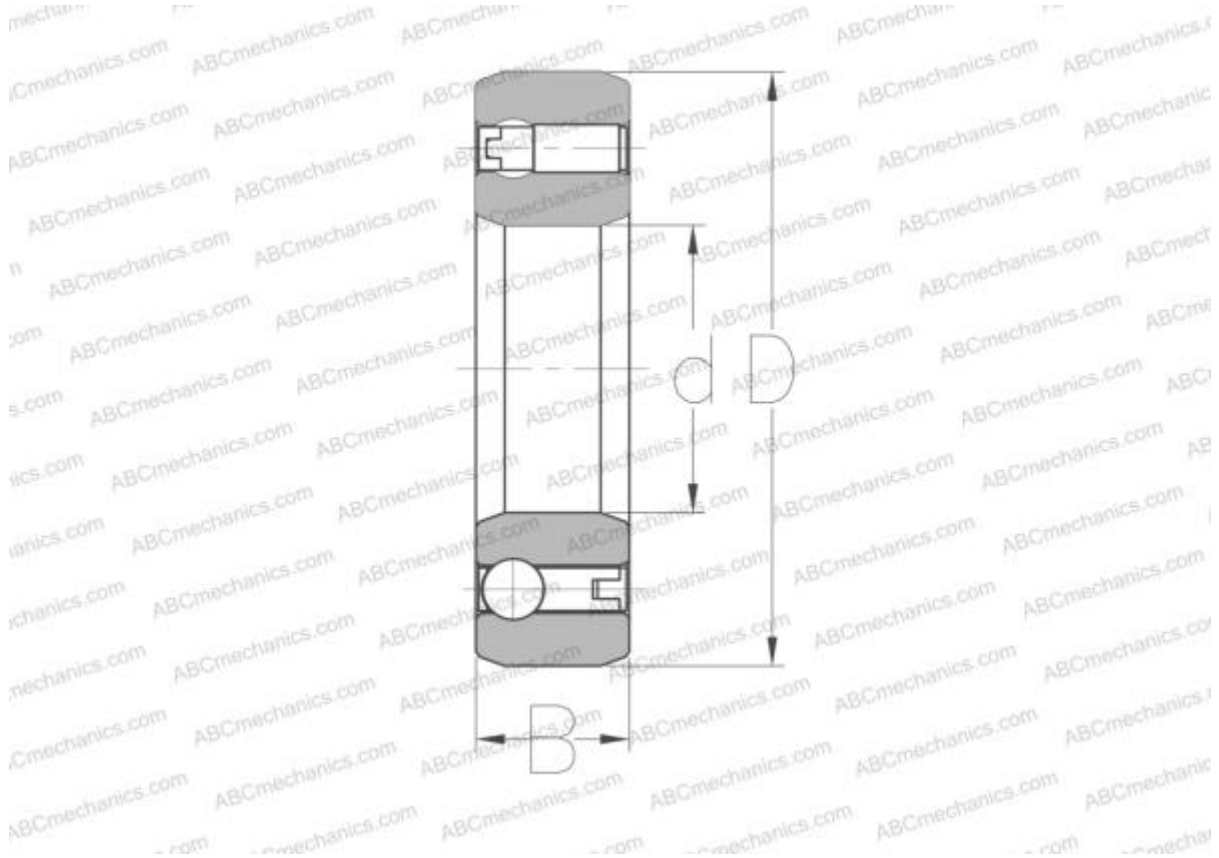


CSK 12 STIEBER

Freewheel

TYPE: Freewheel, Combined bearing/freewheel, Integral bearing based on series 62, 60, Open



Technical specification

DIMENSIONS, MM

d	12,000
D	32,000
B	10,000

REPLACES

KK 12

MANUFACTURER

[STIEBER](#)

INTERCHANGE

ABC	CSK 12
TSUBAKI	BB12
RINGSPANN	ZZ 6201
CROSS+MORSE	CKK 12
C.T.S.	UK 12 ZZ

CALCULATION DATA

Basic dynamic load rating, C	6,100 kN
Basic static load rating, Co	2,770 kN