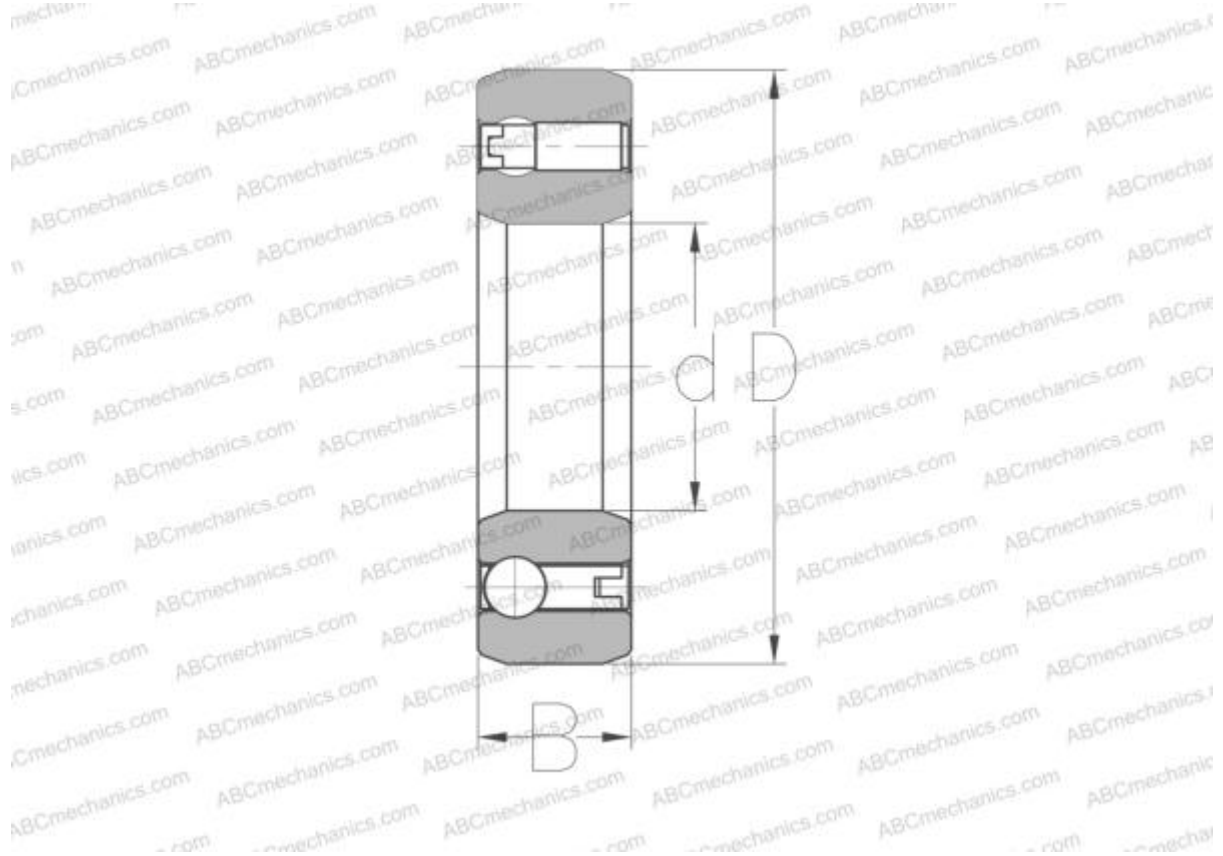


## BB12 TSUBAKI

Freewheel

TYPE: Freewheel, Combined bearing/freewheel, Integral bearing based on series 62, 60, Open



### Technical specification

#### DIMENSIONS, MM

d	12,000
D	32,000
B	10,000

**MANUFACTURER** [TSUBAKI](#)

#### INTERCHANGE

ABC	<a href="#">CSK 12</a>
STIEBER	<a href="#">CSK 12</a>
RINGSPANN	<a href="#">ZZ 6201</a>
CROSS+MORSE	<a href="#">CKK 12</a>
C.T.S.	<a href="#">UK 12 ZZ</a>