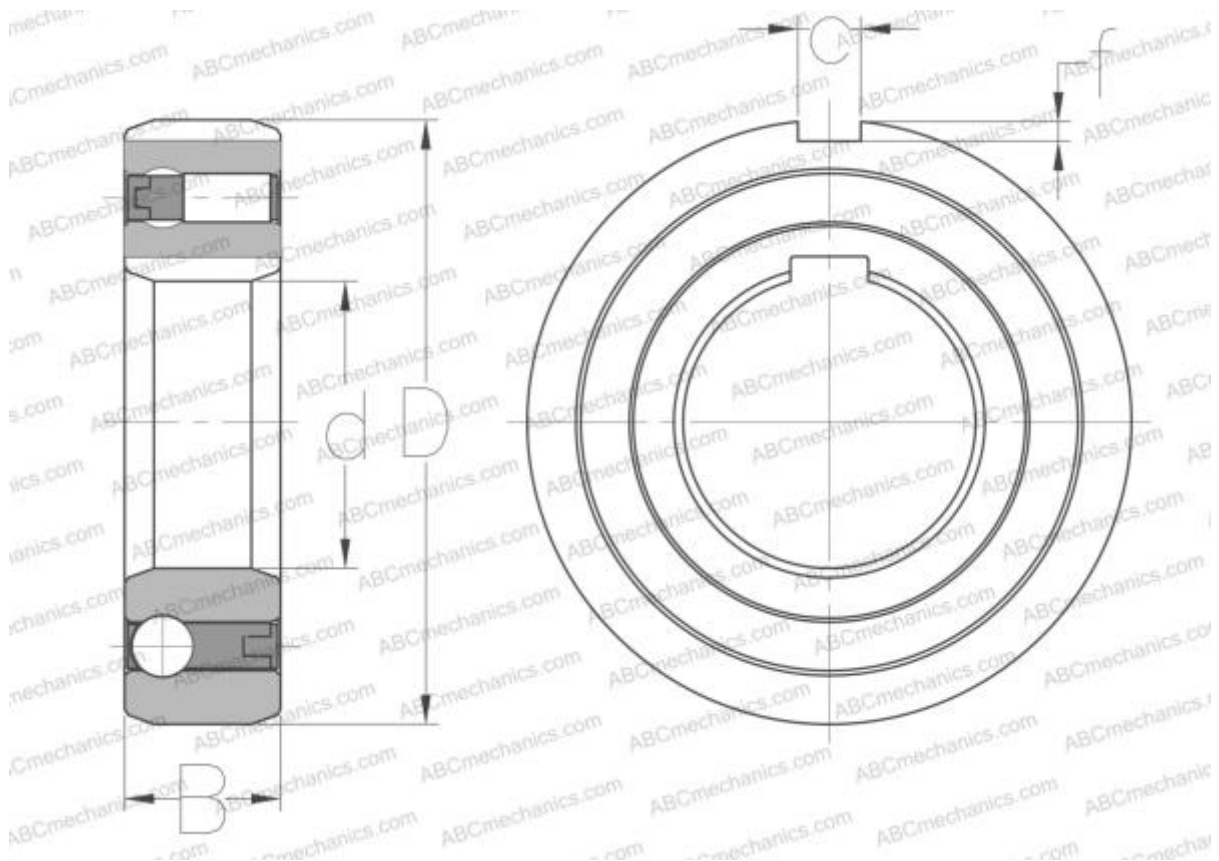


CSK 15-PP STIEBER

Freewheel

TYPE: Freewheel, Combined bearing/freewheel, Integral bearing based on series 62, 60, Keyway on both the inner and outer race



Technical specification

DIMENSIONS, MM

d	15,000
D	35,000
B	11,000
f	0,600
c	2,000

CALCULATION DATA

Basic dynamic load rating, C	7,400 kN
Basic static load rating, Co	3,420 kN

MANUFACTURER

[STIEBER](#)

INTERCHANGE

ABC	CSK 15-PP
TSUBAKI	BB15-2K
RINGSPANN	ZZ6202PP
RENOLD	REUKCC15
CROSS+MORSE	CKKNN15
C.T.S.	UKCC15ZZ