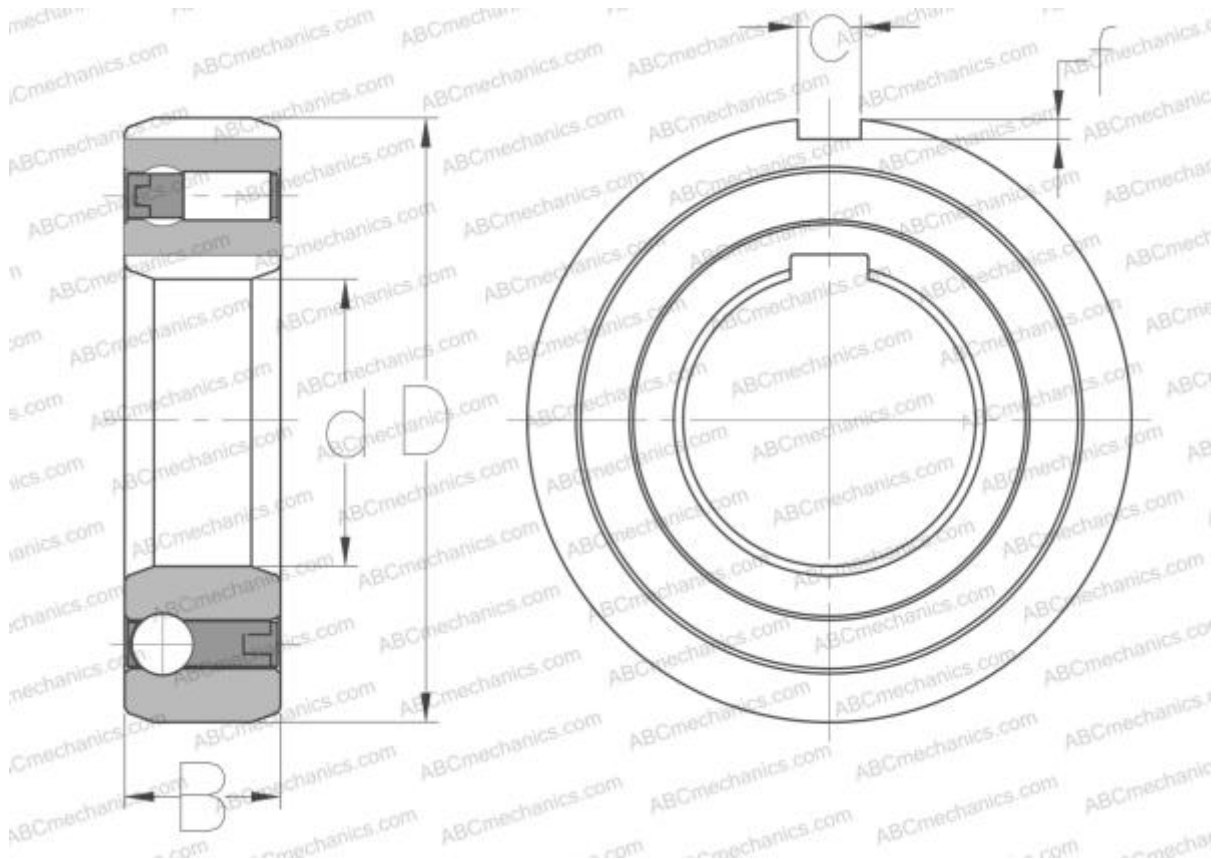


BB15-2K TSUBAKI

Freewheel

TYPE: Freewheel, Combined bearing/freewheel, Integral bearing based on series 62, 60, Keyway on both the inner and outer race



Technical specification

DIMENSIONS, MM

| | |
|---|--------|
| d | 15,000 |
| D | 35,000 |
| B | 11,000 |
| f | 0,600 |
| c | 2,000 |

MANUFACTURER

[TSUBAKI](#)

INTERCHANGE

| | |
|-------------|---------------------------|
| ABC | CSK 15-PP |
| STIEBER | CSK 15-PP |
| RINGSPANN | ZZ6202PP |
| RENOLD | REUKCC15 |
| CROSS+MORSE | CKKNN15 |
| C.T.S. | UKCC15ZZ |