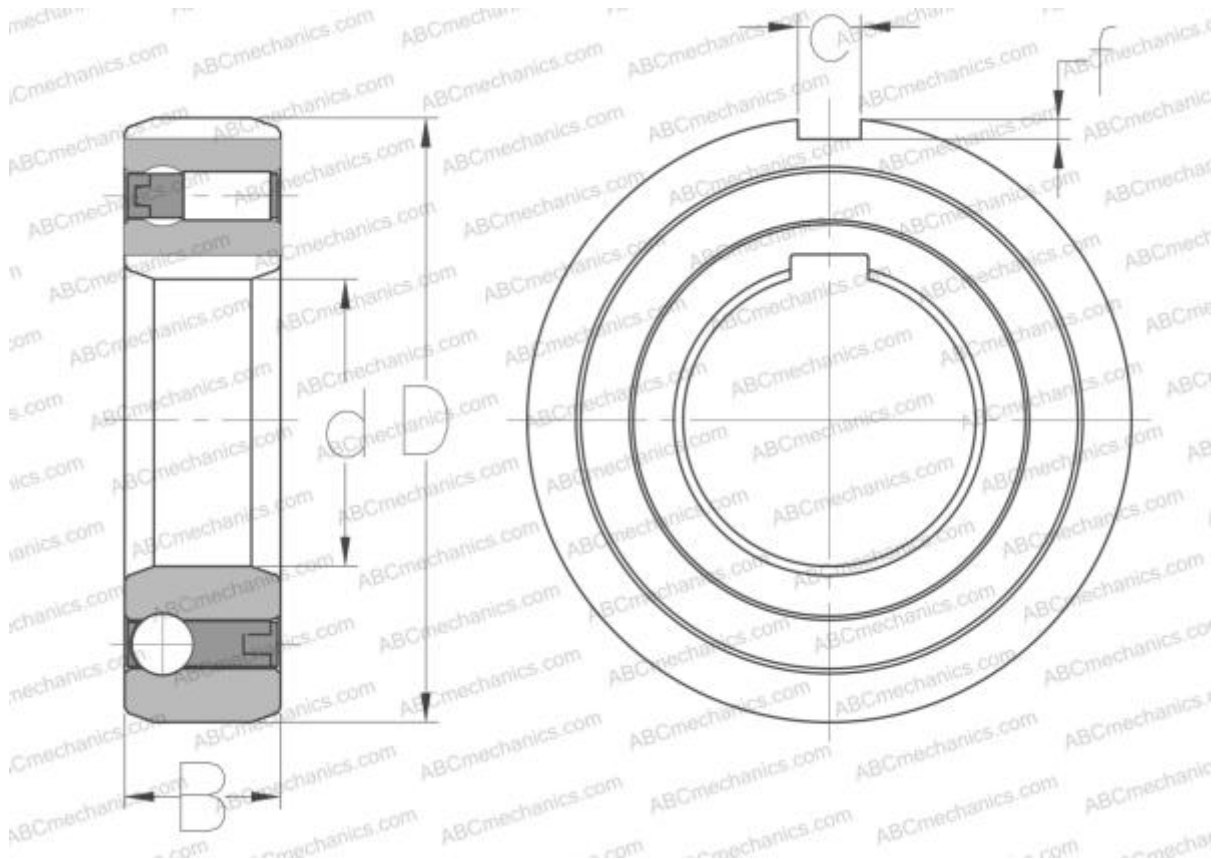


## UKCC15ZZ C.T.S.

Freewheel

TYPE: Freewheel, Combined bearing/freewheel, Integral bearing based on series 62, 60, Keyway on both the inner and outer race



### Technical specification

#### DIMENSIONS, MM

|   |        |
|---|--------|
| d | 15,000 |
| D | 35,000 |
| B | 11,000 |
| f | 0,600  |
| c | 2,000  |

#### MANUFACTURER

[C.T.S.](#)

#### INTERCHANGE

|             |                           |
|-------------|---------------------------|
| ABC         | <a href="#">CSK 15-PP</a> |
| STIEBER     | <a href="#">CSK 15-PP</a> |
| TSUBAKI     | <a href="#">BB15-2K</a>   |
| RINGSPANN   | <a href="#">ZZ6202PP</a>  |
| RENOLD      | <a href="#">REUKCC15</a>  |
| CROSS+MORSE | <a href="#">CKKNN15</a>   |