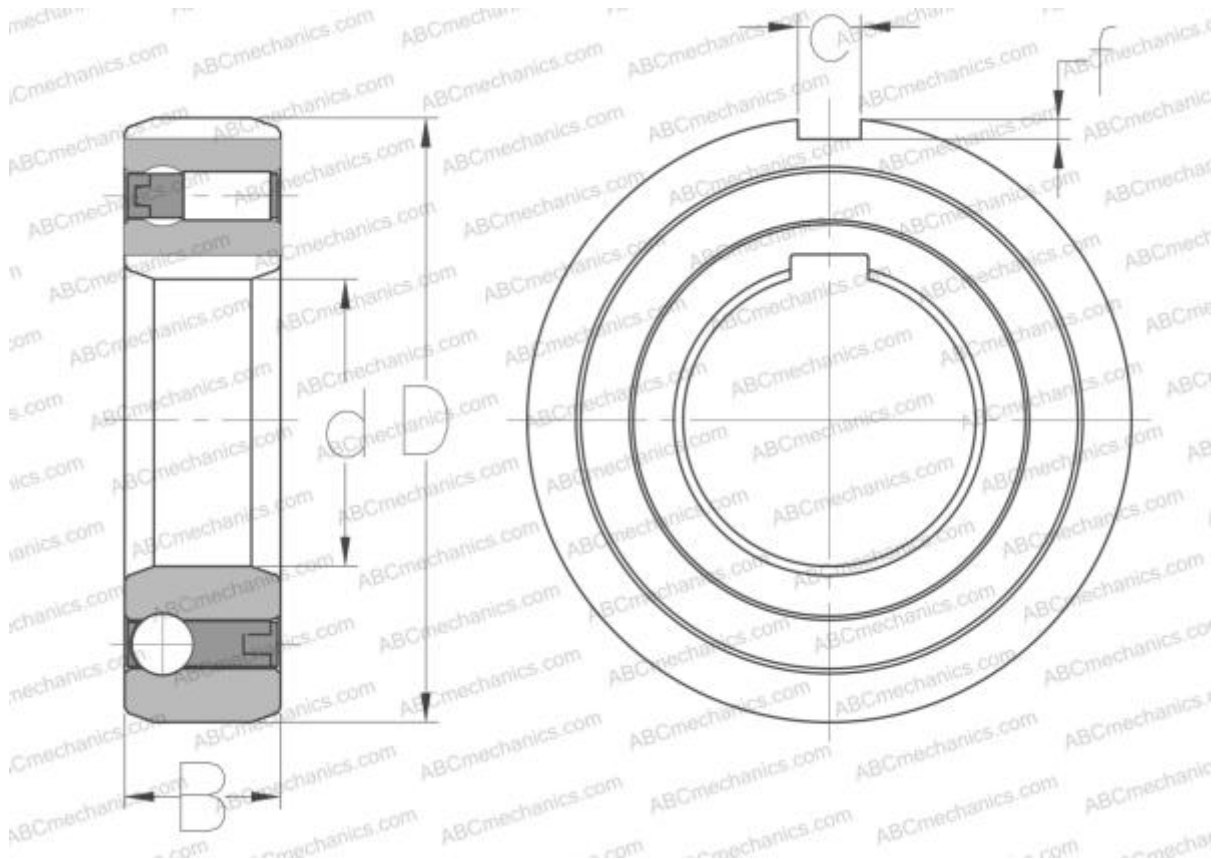


## BB17-2K TSUBAKI

Freewheel

TYPE: Freewheel, Combined bearing/freewheel, Integral bearing based on series 62, 60, Keyway on both the inner and outer race



### Technical specification

#### DIMENSIONS, MM

d	17,000
D	40,000
B	12,000
f	1,000
c	2,000

**MANUFACTURER** [TSUBAKI](#)

#### INTERCHANGE

ABC	<a href="#">CSK 17-PP</a>
STIEBER	<a href="#">CSK 17-PP</a>
RINGSPANN	<a href="#">ZZ6203PP</a>
RENOLD	<a href="#">REUKCC17</a>
CROSS+MORSE	<a href="#">CKKNN17</a>
C.T.S.	<a href="#">UKCC17ZZ</a>