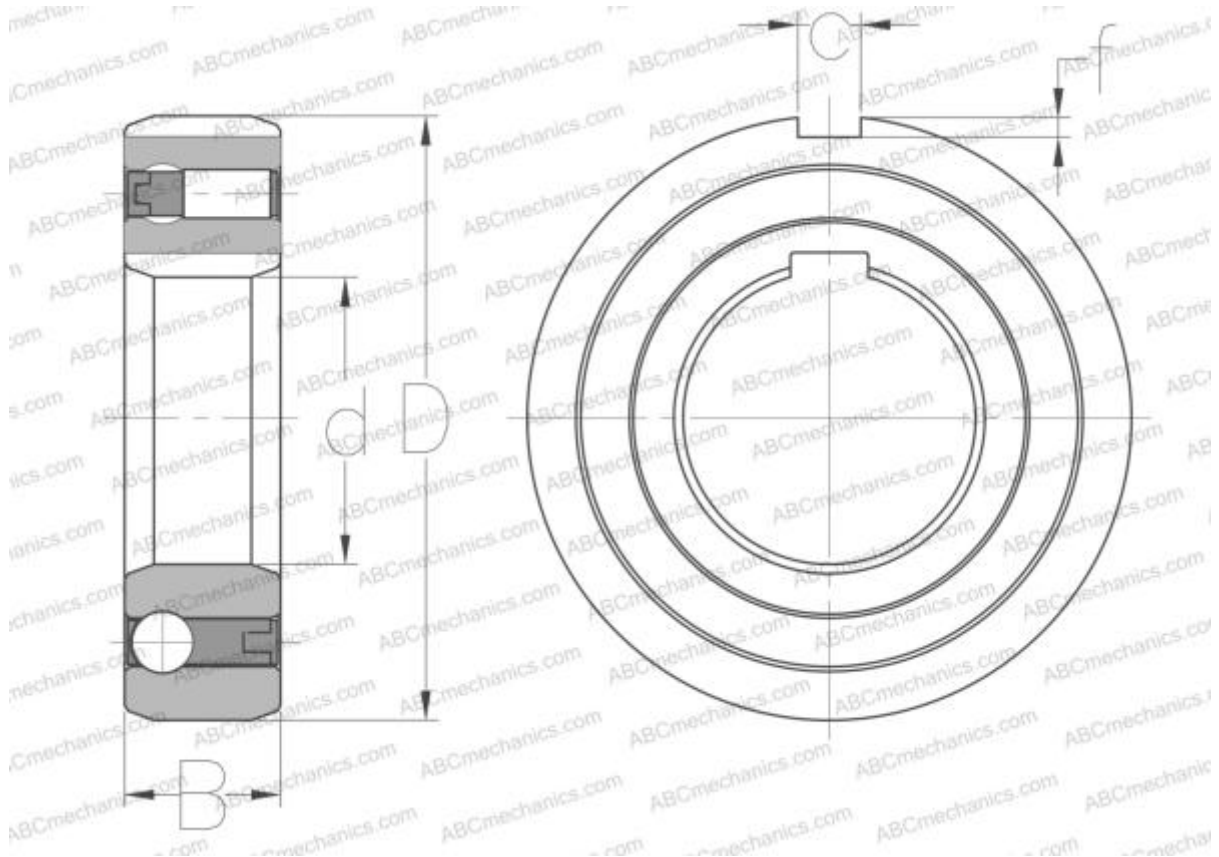


## CKKNN17 CROSS+MORSE

Freewheel

TYPE: Freewheel, Combined bearing/freewheel, Integral bearing based on series 62, 60, Keyway on both the inner and outer race



### Technical specification

#### DIMENSIONS, MM

|   |        |
|---|--------|
| d | 17,000 |
| D | 40,000 |
| B | 12,000 |
| f | 1,000  |
| c | 2,000  |

#### MANUFACTURER

[CROSS+MORSE](#)

#### INTERCHANGE

|           |                           |
|-----------|---------------------------|
| ABC       | <a href="#">CSK 17-PP</a> |
| STIEBER   | <a href="#">CSK 17-PP</a> |
| TSUBAKI   | <a href="#">BB17-2K</a>   |
| RINGSPANN | <a href="#">ZZ6203PP</a>  |
| RENOLD    | <a href="#">REUKCC17</a>  |
| C.T.S.    | <a href="#">UKCC17ZZ</a>  |