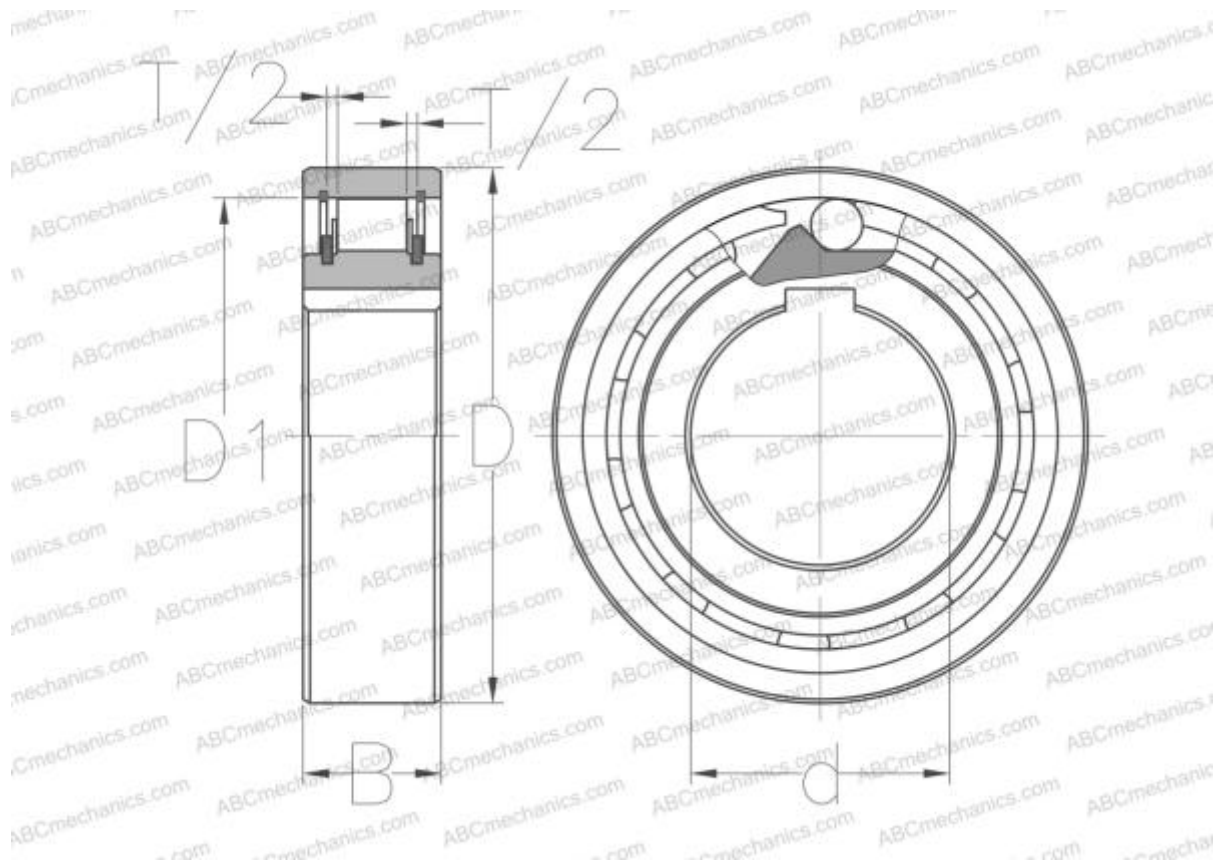


AS 6 STIEBER

Freewheel

TYPE: Freewheel, Built-in freewheels, Nominal outside dimensions are the same as series 62.. ball bearings



Technical specification

DIMENSIONS, MM

d	6,000
D	19,000
D1	15,800
B	6,000
T	0,300

MANUFACTURER [STIEBER](#)

INTERCHANGE

ABC [AS 6](#)

REPLACES

NSS 6