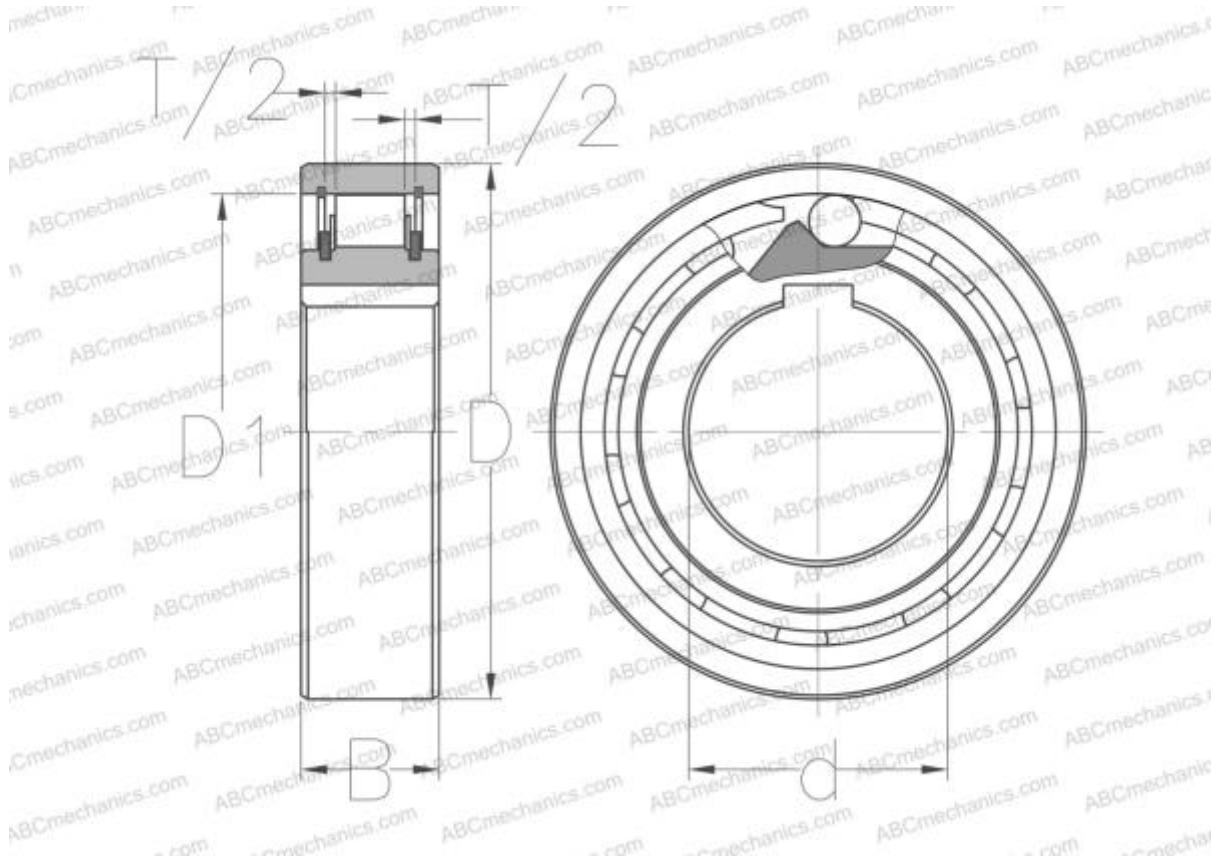


## AS 8 ABC

Freewheel

TYPE: Freewheel, Built-in freewheels, Nominal outside dimensions are the same as series 62.. ball bearings



### Technical specification

#### DIMENSIONS, MM

d	8,000
D	24,000
D1	20,000
B	8,000
T	1,300

#### INTERCHANGE

C.T.S.	<a href="#">US8</a>
TRAME	<a href="#">BSS 8</a>

**MANUFACTURER** [ABC](#)

#### INTERCHANGE

STIEBER	<a href="#">AS 8</a>
TSUBAKI	<a href="#">TSS 8</a>
GMN	<a href="#">VS8</a>
VP-TECHNIK	<a href="#">US 8</a>
RINGSPANN	<a href="#">FCN8R</a>
RENOLD	<a href="#">REUS8</a>
CROSS+MORSE	<a href="#">CNAS8</a>