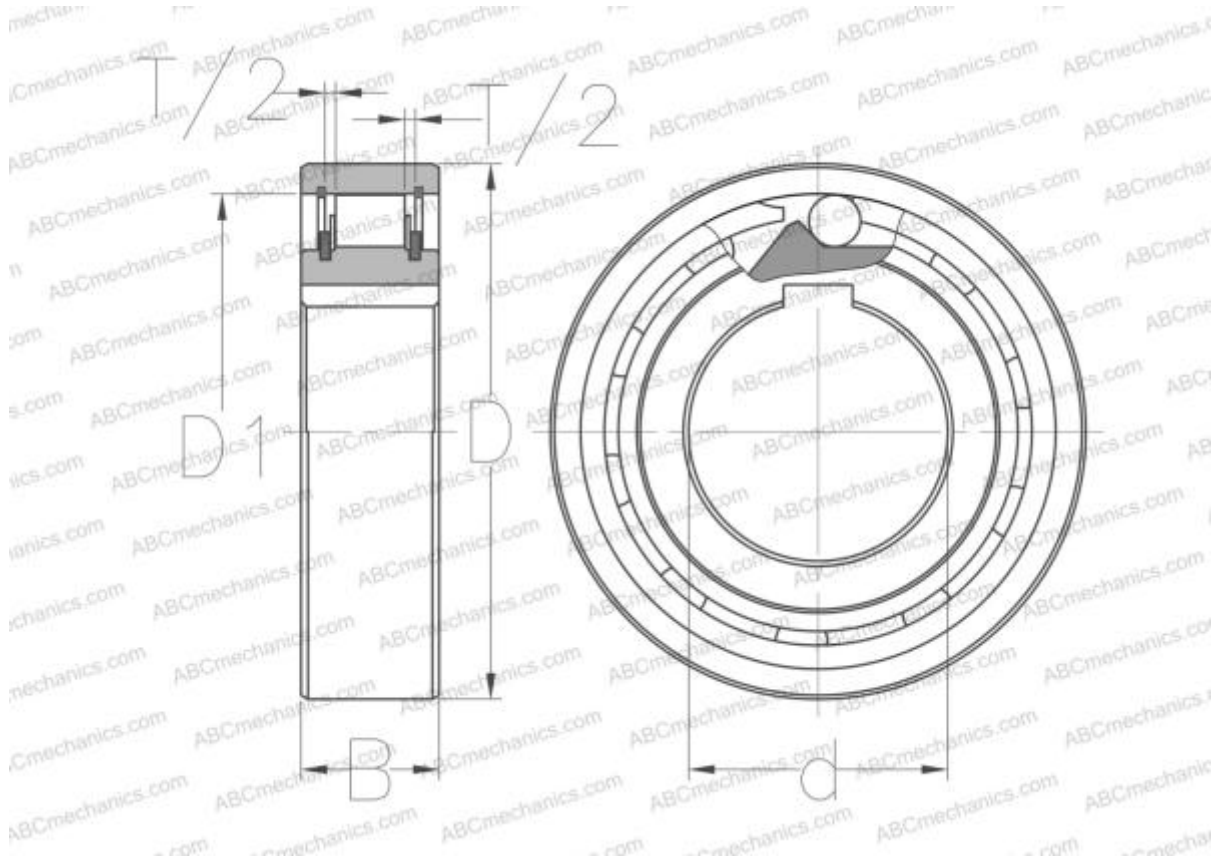


AS 8 STIEBER

Freewheel

TYPE: Freewheel, Built-in freewheels, Nominal outside dimensions are the same as series 62.. ball bearings



Technical specification

DIMENSIONS, MM

d	8,000
D	24,000
D1	20,000
B	8,000
T	1,300

INTERCHANGE

C.T.S.	US8
TRAME	BSS 8

REPLACES

NSS 8

MANUFACTURER

[STIEBER](#)

INTERCHANGE

ABC	AS 8
TSUBAKI	TSS 8
GMN	VS8
VP-TECHNIK	US 8
RINGSPANN	FCN8R
RENOLD	REUS8
CROSS+MORSE	CNAS8