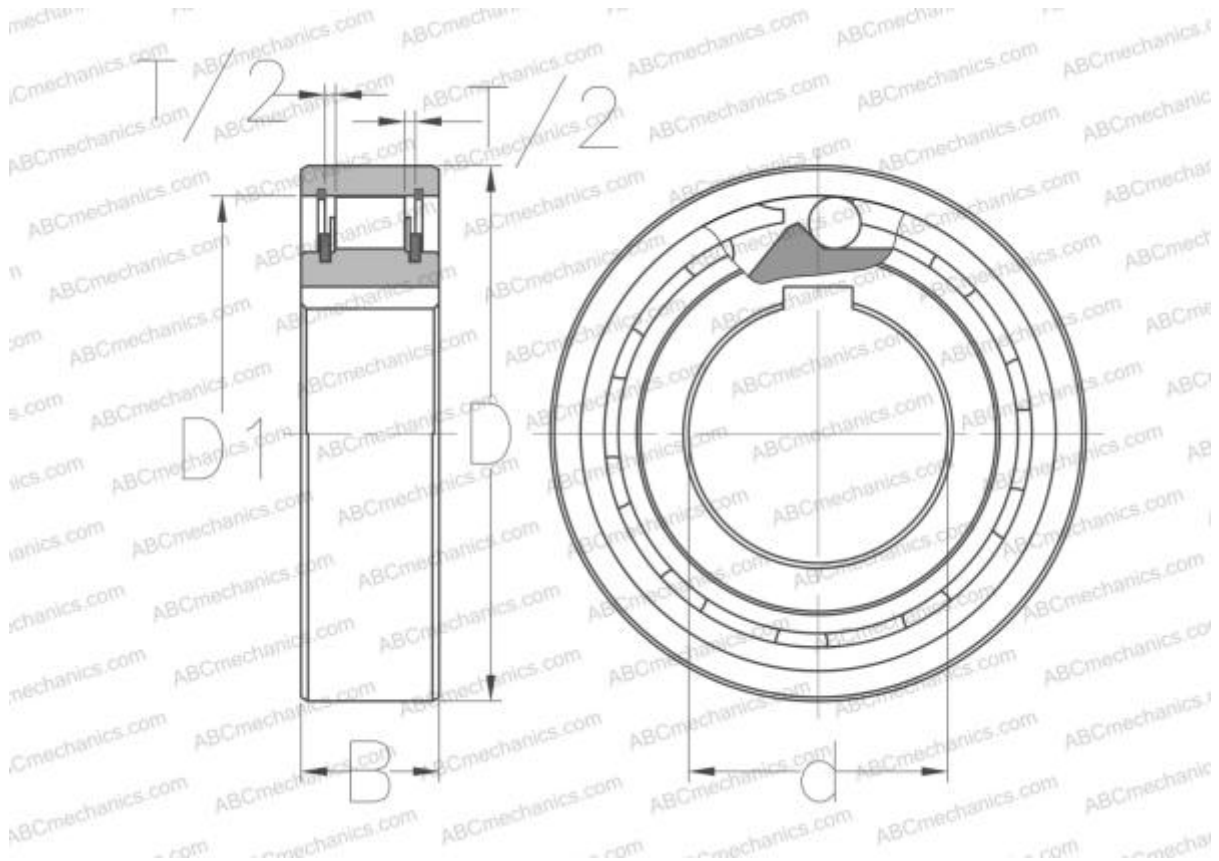


VS8 GMN

Freewheel

TYPE: Freewheel, Built-in freewheels, Nominal outside dimensions are the same as series 62.. ball bearings



Technical specification

DIMENSIONS, MM

| | |
|----|--------|
| d | 8,000 |
| D | 24,000 |
| D1 | 20,000 |
| B | 8,000 |
| T | 1,300 |

MANUFACTURER [GMN](#)

INTERCHANGE

| | |
|-------------|-----------------------|
| ABC | AS 8 |
| STIEBER | AS 8 |
| TSUBAKI | TSS 8 |
| VP-TECHNIK | US 8 |
| RINGSPANN | FCN8R |
| RENOLD | REUS8 |
| CROSS+MORSE | CNAS8 |

INTERCHANGE

| | |
|--------|-----------------------|
| C.T.S. | US8 |
| TRAME | BSS 8 |