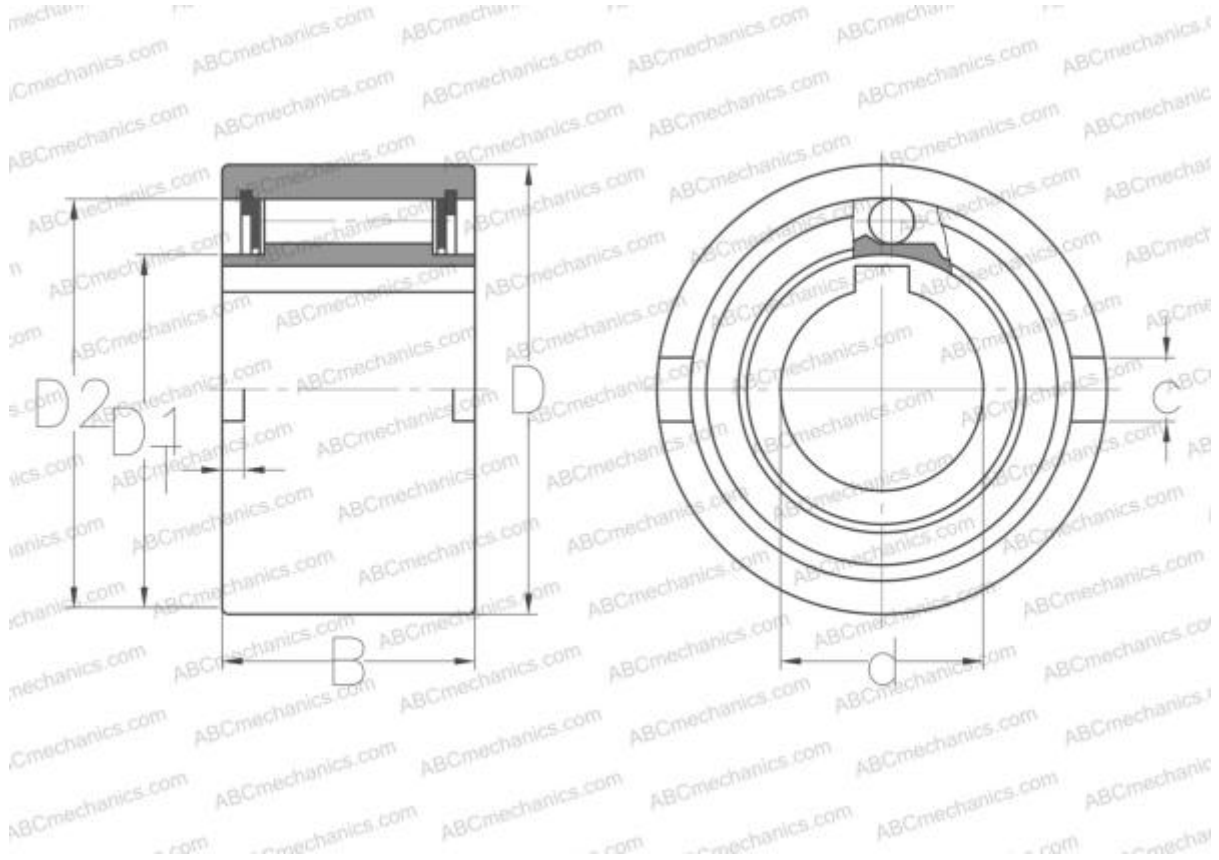


## REUF8 RENOLD

Freewheel

TYPE: Freewheel, Built-in freewheels, Wide serie



### Technical specification

#### DIMENSIONS, MM

d	8,000
D	37,000
D1	20,000
D2	30,000
B	20,000
c	6,000
T	3,000

#### MANUFACTURER

[RENOLD](#)

#### INTERCHANGE

ABC	<a href="#">NF 8</a>
STIEBER	<a href="#">NF 8</a>
GMN	<a href="#">VF8</a>
RINGSPANN	<a href="#">FN8</a>
C.T.S.	<a href="#">UF8</a>