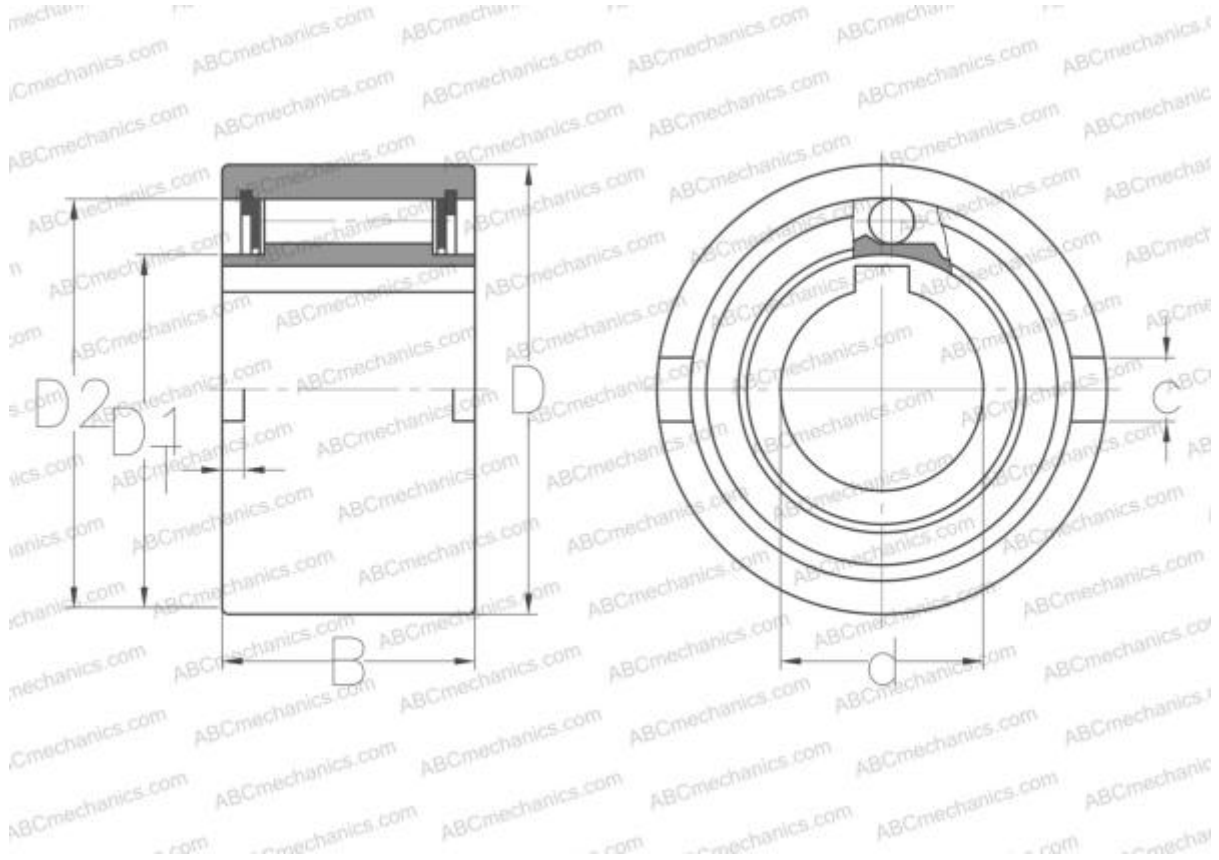


## VF12 GMN

Freewheel

TYPE: Freewheel, Built-in freewheels, Wide serie



### Technical specification

#### DIMENSIONS, MM

|    |        |
|----|--------|
| d  | 12,000 |
| D  | 37,000 |
| D1 | 20,000 |
| D2 | 30,000 |
| B  | 20,000 |
| c  | 6,000  |
| T  | 3,000  |

**MANUFACTURER** [GMN](#)

#### INTERCHANGE

|           |                        |
|-----------|------------------------|
| ABC       | <a href="#">NF 12</a>  |
| STIEBER   | <a href="#">NF 12</a>  |
| RINGSPANN | <a href="#">FN12</a>   |
| RENOLD    | <a href="#">REUF12</a> |
| C.T.S.    | <a href="#">UF12</a>   |