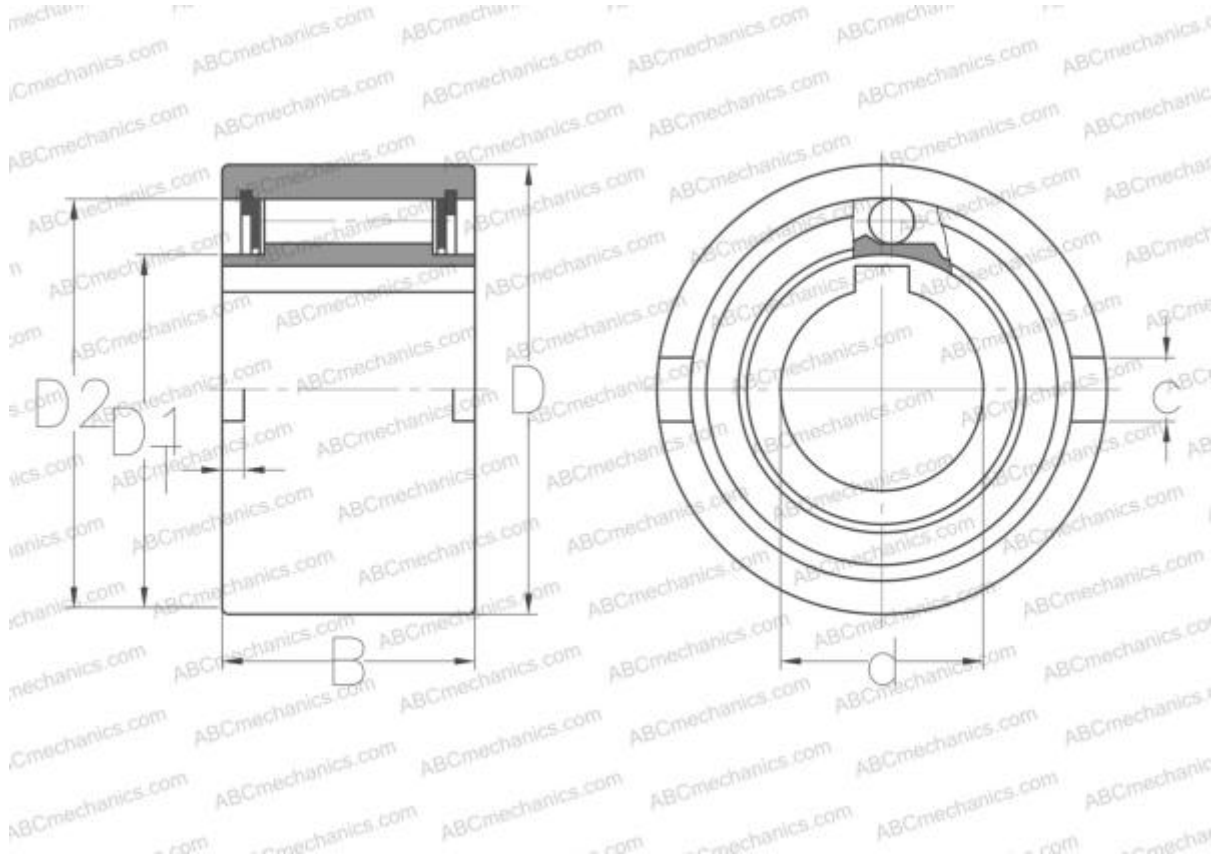


FN12 RINGSPANN

Freewheel

TYPE: Freewheel, Built-in freewheels, Wide serie



Technical specification

DIMENSIONS, MM

d	12,000
D	37,000
D1	20,000
D2	30,000
B	20,000
c	6,000
T	3,000

MANUFACTURER

[RINGSPANN](#)

INTERCHANGE

ABC	NF 12
STIEBER	NF 12
GMN	VF12
RENOLD	REUF12
C.T.S.	UF12