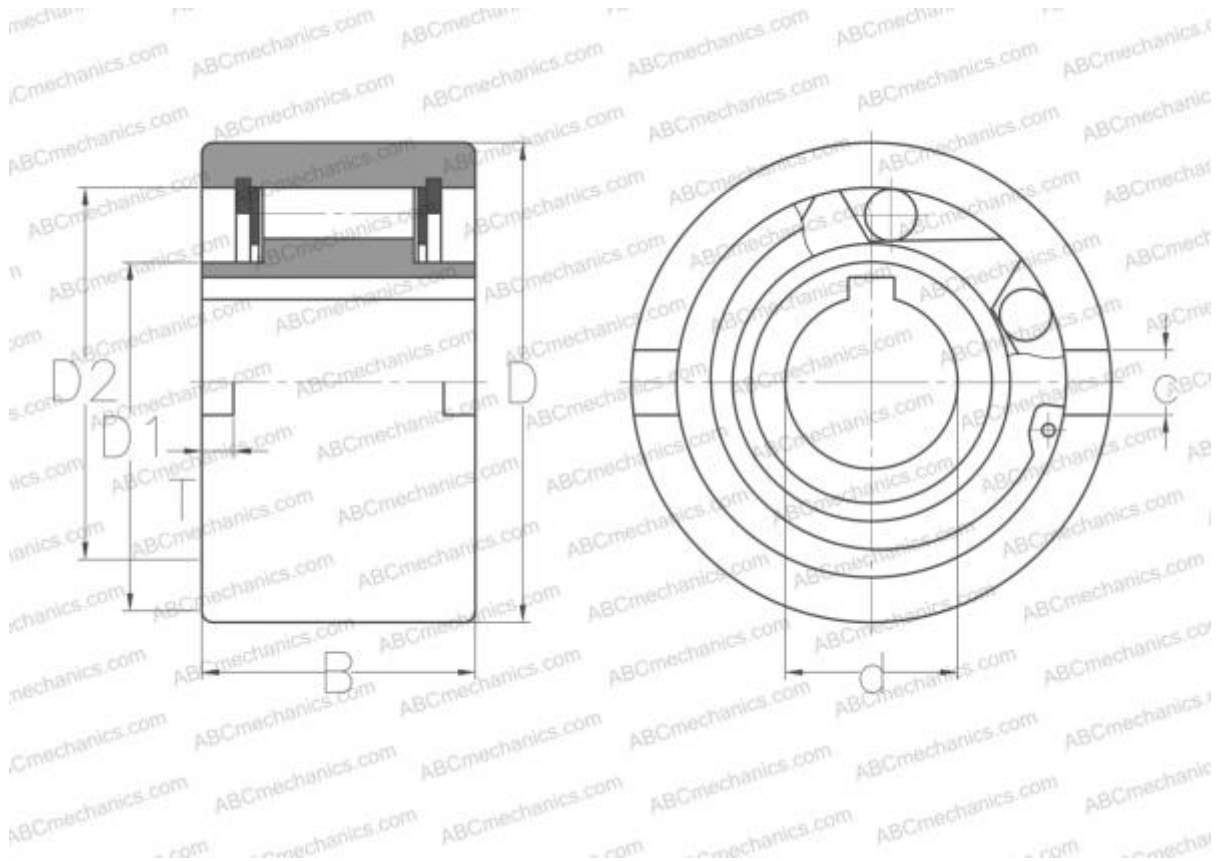


VGF12 GMN

Freewheel

TYPE: Freewheel, Built-in freewheels, Bearing supported roller type freewheel without any sealing, d (8..20)



Technical specification

DIMENSIONS, MM

d	12,000
D	37,000
D1	20,000
D2	30,000
B	20,000
c	6,000
T	3,000

MANUFACTURER [GMN](#)

INTERCHANGE

ABC	NFR 12
STIEBER	NFR 12
C.T.S.	GF12
RINGSPANN	FNR12
RENOLD	REGF12