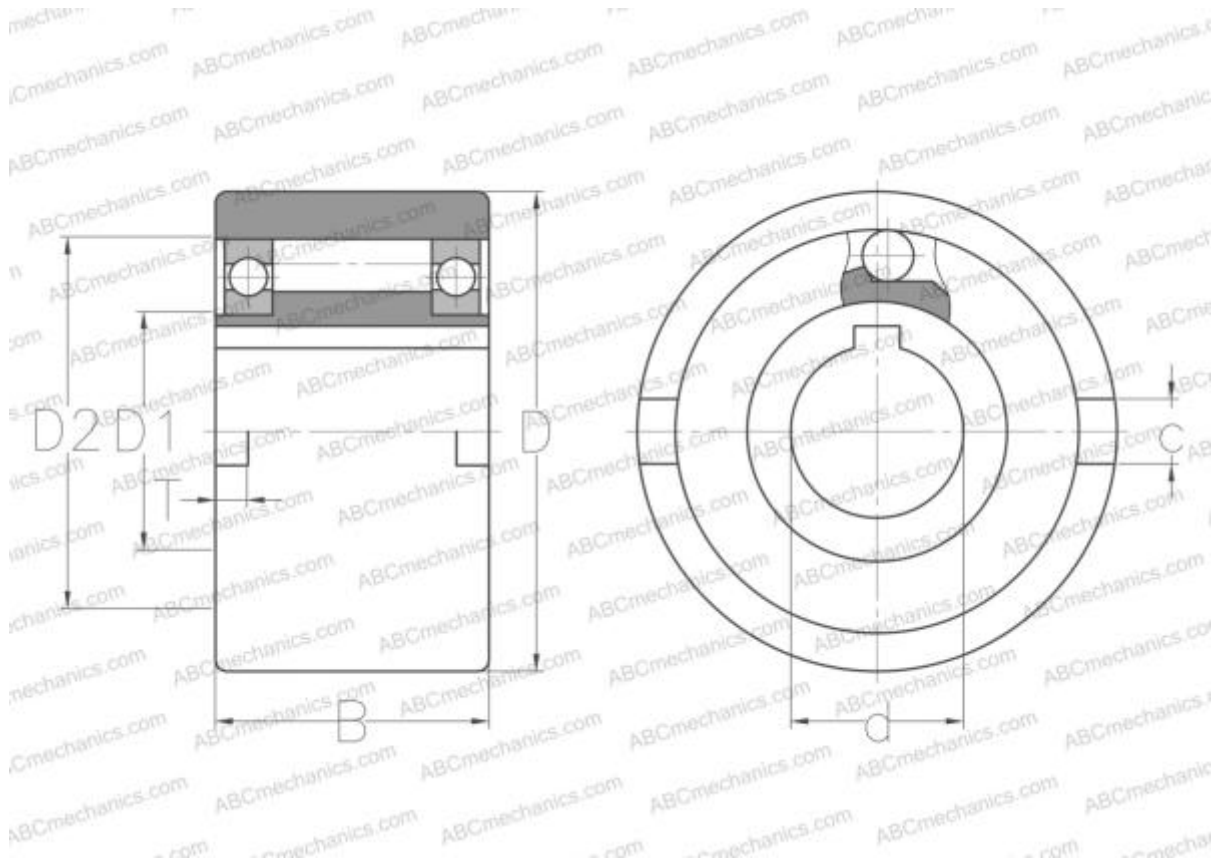


GF30 C.T.S.

Freewheel

TYPE: Freewheel, Built-in freewheels, Bearing supported roller type freewheel without any sealing, d (>25)



Technical specification

DIMENSIONS, MM

| | |
|----|--------|
| d | 30,000 |
| D | 90,000 |
| D1 | 45,000 |
| D2 | 75,000 |
| B | 48,000 |
| c | 12,000 |
| T | 5,000 |

MANUFACTURER [C.T.S.](#)

INTERCHANGE

| | |
|-----------|------------------------|
| ABC | NFR 30 |
| STIEBER | NFR 30 |
| GMN | VGF30 |
| RINGSPANN | FNR30 |
| RENOLD | REGF30 |