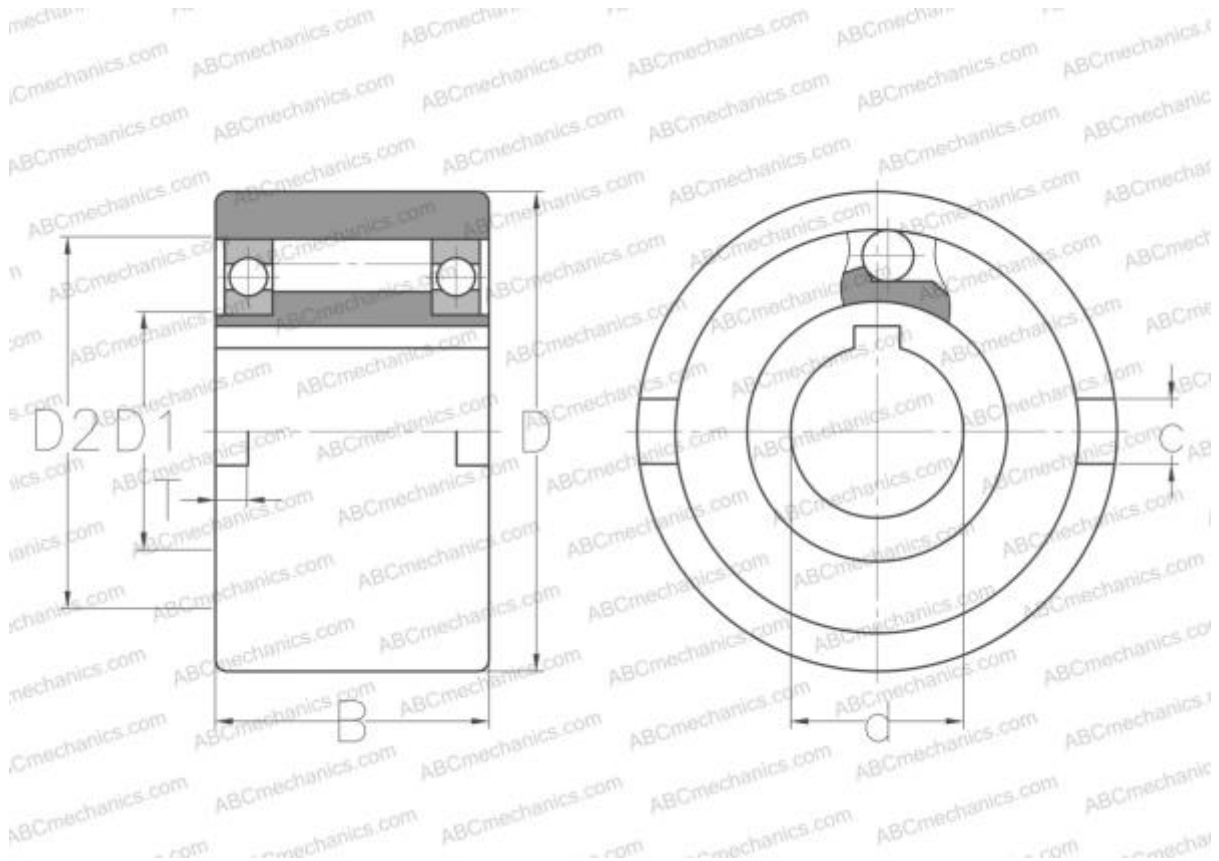


## FNR30 RINGSPANN

Freewheel

TYPE: Freewheel, Built-in freewheels, Bearing supported roller type freewheel without any sealing, d (>25)



### Technical specification

#### DIMENSIONS, MM

d	30,000
D	90,000
D1	45,000
D2	75,000
B	48,000
c	12,000
T	5,000

#### MANUFACTURER

[RINGSPANN](#)

#### INTERCHANGE

ABC	<a href="#">NFR 30</a>
STIEBER	<a href="#">NFR 30</a>
C.T.S.	<a href="#">GF30</a>
GMN	<a href="#">VGF30</a>
RENOLD	<a href="#">REGF30</a>